

SECTION 2-E

REPLACEMENT OF CRANKSHAFT AND CONNECTING ROD BEARINGS, PISTONS AND RINGS

CONTENTS OF SECTION 2-E

Paragraph	Subject	Page	Paragraph	Subject	Page
2-17	Replacement of Connecting Rod Bearings.....	2-29	2-19	Replacement of Pistons, Rings, and Connecting Rods.....	2-32
2-18	Replacement of Crankshaft Bearings.....	2-30			

SERVICE BULLETIN REFERENCE

Bulletin No.	Page No.	SUBJECT

2-17 REPLACEMENT OF CONNECTING ROD BEARINGS

A connecting rod bearing consists of two halves or shells which are alike and interchangeable in rod and cap. When the shells are placed in rod and cap the ends extend slightly beyond the parting surfaces so that when rod bolts are tightened the shells will be clamped tightly in place to insure positive seating and to prevent turning. *The ends of shells must never be filed flush with parting surface of rod or cap.*

If a precision type connecting rod bearing becomes noisy or is worn so that clearance on crankpin is excessive, a new bearing of proper size must be selected and installed since no provision is made for adjustment. *Under no circumstances should the connecting rod or cap be filed to adjust the bearing clearance.*

a. Inspection of Connecting Rod Bearings and Crankpin Journals

After removal of lower crankcase, disconnect two connecting rods at a time from crankshaft and inspect the bearings and crankpin journals. While turning crankshaft it is necessary to temporarily re-connect the rods to crankshaft to avoid possibility of damaging the journals through contact with loose rods.

If connecting rod bearings are chipped or

scored they should be replaced. If bearings are in good physical condition check for proper clearance on crankpins as described in subparagraph *b*, below.

If crankpin journals are scored or ridged the crankshaft must be replaced, or reground for undersize bearings, to insure satisfactory life of connecting rod bearings. Slight roughness may be polished out with fine grit polishing cloth thoroughly wetted with engine oil. Burrs may be honed off with a fine oil stone.

Use an outside micrometer to check crankpins for out-of-round. If crankpins are more than .0015" out-of-round, satisfactory life of new bearings cannot be expected.

b. Checking Clearance and Selecting Replacement Bearings

Service bearings are furnished in standard size and several undersizes (including undersizes for reground crankpins).

The clearance of connecting rod (and crankshaft) bearings may be checked by use of Plastigage, Type PG-1 (green), which has a range of .001" to .003". Plastigage is manufactured by Perfect Circle Corporation, Hagerstown, Indiana, and is available through Buick parts warehouses under Group 0.093.

1. Remove connecting rod cap with bearing shell. Wipe oil from bearing and crankpin

journal, also blow oil out of hole in crankshaft.
NOTE: *Plastigage is soluble in oil.*

2. Place a piece of Plastigage lengthwise along the bottom center of the lower bearing shell (fig. 2-28, view A), then install cap with shell and tighten bolt nuts to 40-45 ft. lbs. torque. NOTE: *The rib on edge of cap and the conical boss on web of rod must be toward rear of engine on all rods in right bank or toward front of engine in left bank.*

3. DO NOT TURN CRANKSHAFT with Plastigage in bearing.

4. Remove bearing cap with bearing shell, the flattened Plastigage will be found adhering to either the bearing shell or the crankpin. *Do not remove it.*

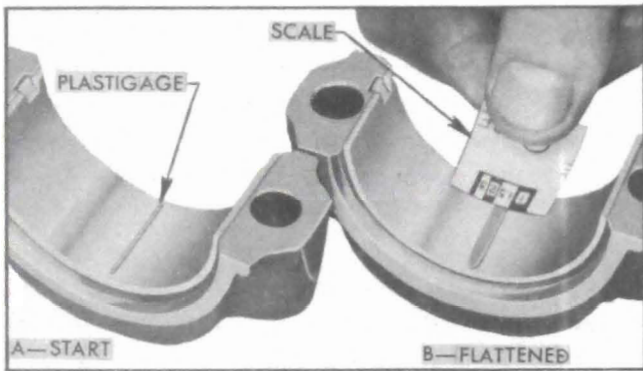


Figure 2-28—Checking Bearing Clearance with Plastigage

5. Using the scale printed on the Plastigage envelope, measure the flattened Plastigage at its widest point. The number within the graduation which most closely corresponds to the width of Plastigage indicates the bearing clearance in thousandths of an inch. See figure 2-28, view B.

6. The desired clearance with a new bearing is .0002" to .0023". If bearing has been in service it is advisable to install a new bearing if the clearance exceeds .003"; however, if bearing is in good condition and is not being checked because of bearing noise, it is not necessary to replace the bearing.

7. If a new bearing is being selected, try a standard size, then each undersize bearing in turn until one is found that is within the specified limits when checked for clearance with Plastigage. NOTE: *Each undersize bearing shell has a number stamped on outer surface on or near the tang to indicate amount of undersize.*

8. After the proper size bearing has been selected, clean off the Plastigage, oil the bear-

ing thoroughly, reinstall cap with bearing shell and tighten bolt nuts to 40-45 ft. lbs. torque. See NOTE in step 2.

9. With selected bearing installed and bolts tightened, it should be possible to move connecting rod freely back and forth on crankpin as allowed by end clearance. If rod cannot be moved, either the bearing is too much undersize or a misaligned rod is indicated.

2-18 REPLACEMENT OF CRANKSHAFT BEARINGS

A crankshaft bearing consists of two halves or shells which are alike and interchangeable in cap and crankcase. The first four bearings are identical, but the rear bearing is longer and flanged to take crankshaft end thrust. When the shells are placed in crankcase and bearing cap the ends extend slightly beyond the parting surfaces so that when cap bolts are tightened the shells will be clamped tightly in place to insure positive seating, and to prevent turning. *The ends of shells must never be filed flush with parting surface of crankcase or bearing cap.*

Crankshaft bearings are the precision type which do not require reaming to size or other fitting. Shims are not provided for adjustment since worn bearings are readily replaced with new bearings of proper size. Bearings for service replacement are furnished in standard size and several undersizes. *Under no circumstances should crankshaft bearing caps be filed to adjust for wear in old bearings.*

a. Inspection of Crankshaft Bearings and Crankshaft

After removal of lower crankcase, oil pump and flywheel lower housing (syncro-mesh) or bell housing cover (Dynaflow) perform the following removal, inspection and installation operations on each crankshaft bearing in turn so that the crankshaft will be well supported by the other bearings.

1. Since any service condition which affects the crankshaft bearings may also affect the connecting rod bearings, it is advisable to inspect connecting rod bearings first (par. 2-17). If crankpins are worn to the extent that crankshaft should be replaced or reground, replacement of crankshaft bearings only will not be satisfactory.

2. Remove one bearing cap, then clean and

inspect lower bearing shell and the crankshaft journal. If journal surface is scored or ridged, the crankshaft must be replaced or reground to insure satisfactory operation with new bearings. Slight roughness may be polished out with fine grit polishing cloth thoroughly wetted with engine oil, and burrs may be honed off with a fine stone.

3. If condition of lower bearing shell and crankshaft journal is satisfactory, check the bearing clearance with Plastigage as described for connecting rod bearings in paragraph 2-17.

4. When checking a crankshaft bearing with Plastigage, turn crankshaft so that oil hole is up to avoid dripping of oil on Plastigage. Place paper shims in lower halves of adjacent bearings and tighten cap bolts to take the weight of crankshaft off the lower shell of bearing being checked. NOTE: Arrow on cap must point to front of engine.

5. If bearing clearance exceeds .0036", it is advisable to install a new bearing; however, if bearing is in good condition and is not being checked because of bearing noise, it is not necessary to replace the bearing.

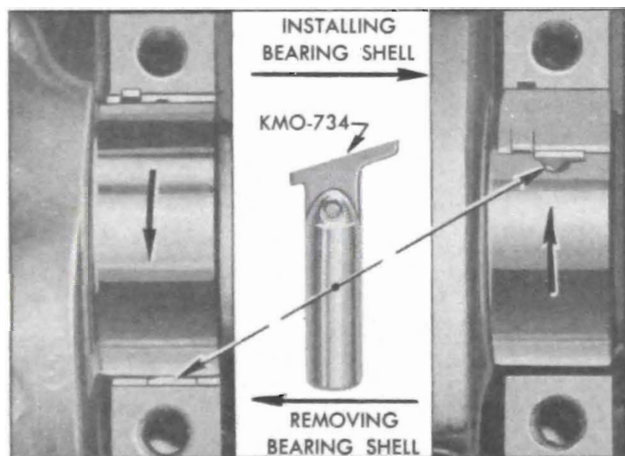


Figure 2-29—Removing and Installing Crankshaft Bearing Upper Shell

b. Selection and Installation of a New Crankshaft Bearing

1. Loosen all crankshaft bearing cap bolts $\frac{1}{2}$ turn, and remove cap of bearing to be replaced.

2. Remove upper bearing shell by inserting Bearing Shell Remover and Installer KMO-734 in oil hole in crankshaft, then slowly turning crankshaft so that the tool rotates the shell out of place by pushing against the end without the tang. See figure 2-29. CAUTION: When turning crankshaft with rear bearing cap removed

hold oil seal to prevent it from rotating out of position in crankcase.

3. The crankshaft journal cannot be measured with an outside micrometer when shaft is in place; however, when upper bearing shell is removed the journal may be checked for out-of-round by using a special crankshaft caliper and inside micrometer. The caliper should not be applied to journal in line with the oil hole.

If crankshaft journal is more than .0015" out-of-round, the crankshaft should be replaced since the full mileage cannot be expected from bearings used with an excessively out-of-round crankshaft.

4. Before installation of bearing shells make sure that crankshaft journal and the bearing seats in crankcase and cap are thoroughly cleaned.

5. Coat inside surface of upper bearing shell with engine oil and place shell against crankshaft journal so that tang on shell will engage notch in crankcase when shell is rotated into place.

6. Rotate bearing shell into place as far as possible by hand, then insert Installer KMO-734 in crankshaft oil hole and rotate crankshaft to push shell into place. CAUTION: Bearing shell should move into place with very little pressure. If heavy pressure is required, shell was not started squarely and will be distorted if forced into place.

7. Place lower bearing shell in bearing cap, then check clearance with Plastigage as previously described.

8. The desired clearance with a new bearing is .0005" to .003". If this clearance cannot be obtained with a standard size bearing, insert an undersize bearing and check again with Plastigage. NOTE: Each undersize shell has a number stamped on outer surface on or near the tang to indicate amount of undersize.

9. When the proper size bearing has been selected, clean out all Plastigage, oil the lower shell and reinstall bearing cap. Tighten cap bolts to 100-110 ft. lbs. The crankshaft should turn freely at flywheel rim; however, a very slight drag is permissible if an undersize bearing is used.

10. After bearing is installed and tested, loosen all bearing cap bolts $\frac{1}{2}$ turn and continue with other bearings. When bearings have been installed and tested, tighten all bearing cap bolts to 100-110 ft. lbs. torque.

c. Installation of Rear Bearing Oil Seals

Braided fabric seals are pressed into grooves formed in crankcase and rear bearing cap to rear of the oil collecting groove, to seal against leakage of oil around the crankshaft. Cork seals are cemented into grooves in the sides of bearing cap to seal against leakage in the joints between cap and crankcase. See figure 2-30.

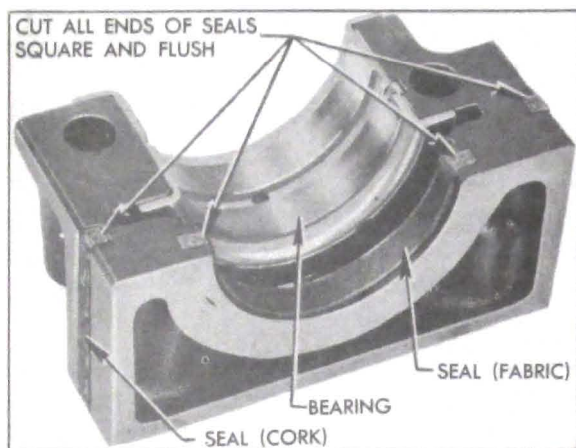


Figure 2-30—Rear Bearing Oil Seals

The braided fabric seal can be installed in crankcase only when crankshaft is removed; however, the seal can be replaced in cap whenever cap is removed. Remove old seal and place new seal in groove with both ends projecting above parting surface of cap. Force seal into groove by rubbing down with hammer handle or smooth stick until seal projects above the groove not more than $\frac{1}{16}$ ". Cut ends off flush with surface of cap, using sharp knife or razor blade. See figure 2-30. **CAUTION:** *The engine must be operated at slow speed when first started after new braided seal is installed.*

The cork seals are slightly longer than grooves in bearing cap. Coat grooves with gasket cement and when this is tacky carefully work seals into grooves with a putty knife. Lightly compress seals into grooves by placing cap in a vise for a few minutes. Cut ends of seals square and flush with machined surfaces of bearing cap and coat outer surfaces with vaseline before installing cap in crankcase.

d. Installation of Oil Pump and Lower Crankcase

1. Install oil pump, following procedure given in paragraph 2-25 to avoid binding.

2. Thoroughly clean lower crankcase and flywheel lower housing or bell housing cover before installation. Use new gaskets when in-

stalling lower crankcase and flywheel lower housing.

3. When connecting steering tie rod to pitman arm be careful to properly seat the bearings around ball stud. Make sure that the pressed steel dust cover properly covers opening around ball stud. Turn tie rod plug up solid then back off two turns and install cotter pin.

2-19 REPLACEMENT OF PISTONS, RINGS, AND CONNECTING RODS

a. Removal and Disassembly of Piston and Rod Assemblies

1. Remove cylinder heads (par. 2-14, a), lower crankcase and oil pump.

2. Examine the cylinder bores above the ring travel. If bores are worn so that a shoulder or ridge exists at this point, remove ridges with a ridge reamer to avoid damaging rings or cracking ring lands in pistons during removal. Chamfering at 15 degrees angle will prevent ring damage when pistons are reinstalled.

3. Use a silver pencil or quick drying paint to mark the cylinder number on all pistons, connecting rods and caps. Starting at front end of crankcase, the cylinders in right hand bank are numbered 1, 3, 5, 7 and in left bank are numbered 2, 4, 6, 8.

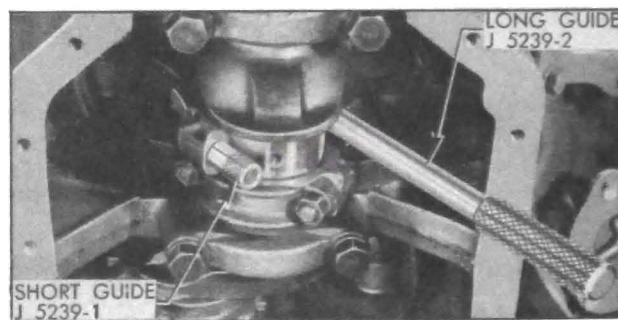


Figure 2-31—Connecting Rod Bolt Guides Installed

4. With No. 1 crankpin straight down, remove the cap with bearing shell from No. 1 connecting rod, then install the *short* Connecting Rod Bolt Guide J 5239-1 on the lower connecting rod bolt, and install the *long* Guide J 5239-2 on the opposite bolt, above crankpin. Turn guides down to hold the bearing upper shell in place. See figure 2-31.

5. Use the long guide to push the piston and rod assembly out of the cylinder, then remove guides and reinstall cap with bearing shell on rod.

6. Remove all other piston and rod assemblies in the same manner.

7. Remove oil rings if they are the flexible first type, then remove compression rings using Ring Expander KMO-232. If oil rings are the second type, remove the two rails, spacer, and expander which are separate pieces in each piston third groove. See figure 2-35.

8. Remove the piston pin clamp screw. Do not clamp the connecting rod in a vise for this operation as the rod may be twisted out of alignment if clamp screw is very tight or vise jaws are not square. After removal of clamp screw, tap the piston pin through rod and piston with a fibre or brass drift; a hard steel punch may damage the parts.

b. Inspection of Cylinder Bores

Inspect cylinder walls for scoring, roughness, or ridges which indicate excessive wear. Check cylinder bores for taper and out-of-round by means of an accurate cylinder gauge placed at top, middle, and bottom of bore both parallel and at right angle to center line of engine. The diameter of cylinder bore at any point may be measured with an inside micrometer, or by setting the cylinder gauge dial at "0" and measuring across the gauge contact points with outside micrometer while gauge is at the same "0" setting.

If a cylinder bore is moderately rough or slightly scored but is not out-of-round or tapered, it usually is possible to remedy the condition by honing the bore to fit a standard service piston, since standard service pistons are of high limit diameters. If cylinder bore is very rough or deeply scored, however, it may be necessary to rebore the cylinder and fit an oversize piston in order to insure satisfactory results.

If cylinder bore is tapered .005" or more, or is out-of-round .003" or more, it is advisable to rebore for the smallest possible oversize pistons and rings. With this amount of bore wear, some piston wear has usually taken place so that the total clearance in the ring travel will be sufficient to produce noisy piston operation.

c. Inspection of Pistons, Rings and Pins

Clean carbon from piston surfaces and under side of piston heads. Clean carbon from ring grooves with suitable tool and remove any gum or varnish from piston skirts with suitable solvent.

Carefully examine pistons for rough or scored bearing surfaces, cracks in skirt or head, cracked or broken ring lands, chipping or uneven wear which would cause rings to seat improperly or have excessive clearance in ring grooves. Damaged or faulty pistons should be replaced.

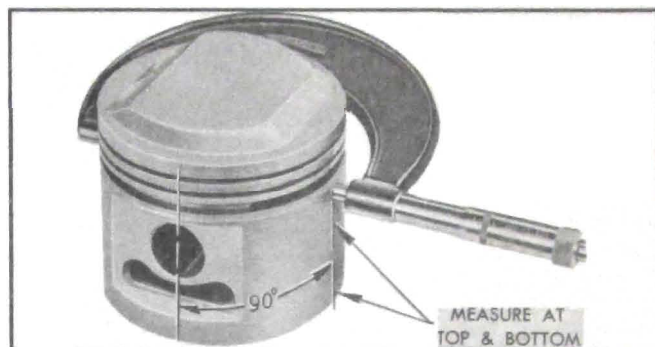


Figure 2-32—Measuring Piston with Micrometer

The pistons are cam ground, which means that the diameter at right angle to piston pin is greater than the diameter parallel to piston pin. When a piston is checked for size it must be measured with a micrometer applied to skirt at points exactly 90 degrees to piston pin. See figure 2-32. Measurements should be made at top and bottom ends of skirt; the diameter at top end will normally be very slightly less than at bottom end after a piston has been in service in an engine.

Inspect bearing surfaces of piston pins and check for wear by measuring worn and unworn surfaces with micrometers. Rough or worn pins should be replaced. Test fit of piston pins in piston bosses. Sometimes pins will be found tight due to gum or varnish deposits. This may be corrected by removing the deposit with a suitable solvent.

If piston bosses are worn out-of-round or oversize and the piston is otherwise satisfactory for service, the bosses and connecting rods may be honed or reamed for oversize piston pins which are furnished for service. Piston pins must fit pistons with an easy finger push fit at 70°F. (.0003"-.0005").

Examine all piston rings for scores, chips, or cracks, and for tension as compared with new rings. Place all compression rings in cylinder bores at lower end of ring travel and check gaps, which are normally .010" to .020". If gaps are excessive it indicates that rings have worn considerably and should be replaced.

d. Reboring Cylinders and Fitting New Pistons

If one or more cylinder bores are rough, scored, or worn beyond limits prescribed under Inspection of Cylinder Bores (subpar. b), it will be necessary to smooth or true up such bores to fit new pistons.

If relatively few bores require correction it will not be necessary to rebore all cylinders to the same oversize in order to maintain engine balance, since all over-size service pistons are held to the same weights as standard size pistons. If conditions justify replacement of all pistons, however, all new pistons should be the same nominal size.

Standard size service pistons are high limit or maximum diameter; therefore, they can usually be used with a slight amount of honing to correct slight scoring or excessive clearances in engines having relatively low mileage. Service pistons are also furnished in .005", .010", .020" and .030" oversizes. All service pistons are diamond bored and selectively fitted with piston pins; pistons are not furnished without pins.

No attempt should be made to cut down over-size pistons to fit cylinder bores as this will destroy the surface treatment and affect the weight. The smallest possible oversize service pistons should be used and the cylinder bores should be honed to size for proper clearances.

Before the honing or reboring operation is started, measure all new pistons with micrometer contacting at points exactly 90 degrees to piston pin (fig. 2-32) then select the smallest piston for the first fitting. The slight variation usually found between pistons in a set may provide for correction in case the first piston is fitted too free.

If wear at top of cylinder does not exceed .005" on the diameter or exceed .003" out of round, honing is recommended for truing the bore. If wear or out of round exceeds these limits, the bore should be trued up with a boring bar of the fly cutter type, then finish honed.

When reboring cylinders, all crankshaft bearing caps must be in place and tightened to proper torque to avoid distortion of bores in final assembly. Always be sure the crankshaft is out of the way of the boring cutter when boring each cylinder. When taking the final cut with boring bar leave .001" on the diameter for finish honing to give the required clearance specified below.

When honing cylinders use clean sharp stones of proper grade for the amount of metal to be removed, in accordance with instructions of the hone manufacturer. Dull or dirty stones cut unevenly and generate excessive heat. When using coarse or medium grade stones use care to leave sufficient metal so that all stone marks may be removed with the fine stones used for finishing to provide proper clearance.

When finish honing, pass the hone through the entire length of cylinder at the rate of approximately 60 cycles per minute. This should produce the desired 45 degree cross hatch pattern on cylinder walls which will insure maximum ring life and minimum oil consumption.

It is of the greatest importance that re-finished cylinder bores are trued up to have not over .0005" out-of-round or taper. Each bore must be final honed to remove all stone or cutter marks and provide a smooth surface. During final honing, each piston must be fitted individually to the bore in which it will be installed and should be marked to insure correct installation.

After final honing and before the piston is checked for fit, each cylinder bore must be thoroughly washed to remove all traces of abrasive and then dried thoroughly. The dry bore should then be brushed clean with a power-driven fibre brush. If all traces of abrasive are not removed, rapid wear of new pistons and rings will result.

Both the piston and the cylinder block must be at the same temperature of approximately 70° F. when the piston is checked for fit in cylinder bore; therefore, the cylinder should be allowed to cool after boring or honing and before the piston fit is checked. This is important because a difference of 10° F. between parts is sufficient to produce a variation of .0005".

Wipe piston and cylinder bore clean and dry. Make sure that the ribbon (1/2" x 12" x .003") of Feeler and Scale J 5540 is free of dents or burrs, then place it on the lower side of bore, at a point 90 degrees to the normal piston pin location. Install piston in bore with head downward and piston pin in its normal position parallel to the crankshaft. See figure 2-33.

Hold the piston and slowly pull the scale in a straight line with the ribbon, noting the pull required to move the feeler ribbon at a steady speed. The pull will be between 7 and 13 pounds if the piston has the required clearance of .0007" to .0017".

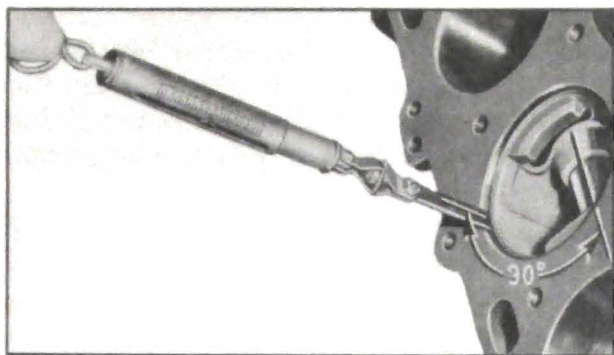


Figure 2-33—Checking Piston Fit with Feeler and Scale

e. Fitting New Piston Rings

When new piston rings are installed without reboring cylinders, the glazed cylinder walls should be slightly dulled, but without increasing the bore diameter, by means of the finest grade of stones in a cylinder hone.

New piston rings must be checked for clearance in piston grooves and for gap in cylinder bores; however, the flexible oil rings are not checked for gap. The cylinder bores and piston grooves must be clean, dry and free of carbon and burrs.

With rings installed, check clearance in grooves by inserting feeler gauges between each ring and its *lower* land because any wear that occurs forms a step at inner portion of the lower land. If the piston grooves have worn to the extent that relatively high steps exist on the lower lands, the piston should be replaced because the steps will interfere with the operation of new rings and the ring clearances will be excessive. Piston rings are not furnished in oversize widths to compensate for ring groove wear.

When fitting new rings to new pistons the side clearance of the compression rings should be .002" to .004" and side clearance of the oil ring should be .0035" to .0095".

To check the gap of compression rings, place the ring in the cylinder in which it will be used, square it in the bore by tapping with the lower end of a piston, then measure the gap with feeler gauges. Piston rings should not have less than .010" gap when placed in cylinder bores. If gap is less than .010", file the ends of rings carefully with a smooth file to obtain proper gap.

f. Assembly and Installation of Piston and Connecting Rod Assemblies

1. Connecting rods may be sprung out of alignment in shipping or handling; therefore,

they must always be checked before pistons are installed. Clamp a new piston pin in upper end of connecting rod and test the rod for twist and bend, using an accurate rod aligning fixture. See figure 2-34. Bend or twist the rod if necessary, to secure proper alignment.

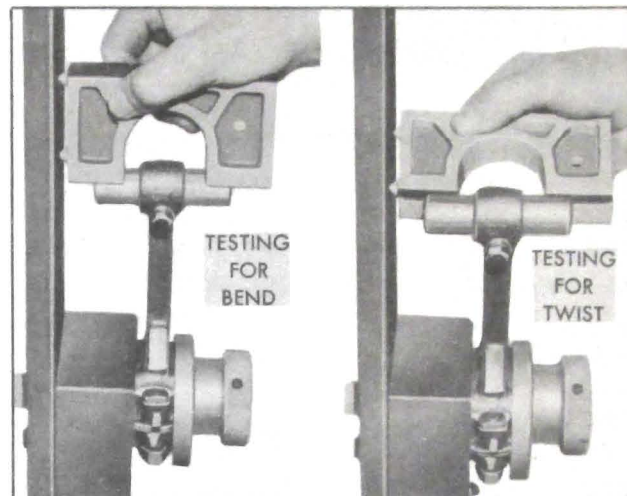


Figure 2-34—Checking Connecting Rod Alignment

2. Install the piston and pin on connecting rod with the valve clearance depressions in piston head on the same side as the clamp bolt in rod, and tighten the clamp bolt securely.

Do not clamp the rod in a vise for this operation as the rod may be sprung out of alignment when tightening clamp bolt, or if vise jaws are not square. Since the piston has a slight taper it is not possible to check rod alignment with the piston assembled to rod.

3. Install oil ring expander in third groove of each piston, placing ends in area above either end of piston pin where groove is not slotted. Install oil ring over expander with gap on same side as valve depressions in piston head.

NOTE: *The rails and spacer of a new oil ring are lightly held together with an oil soluble cement. If parts have separated they may be installed as individual pieces.*

4. Install compression rings in second and first grooves of each piston, using Ring Expander KMO-232. Be sure to place the grooved or beveled side of each ring toward top of piston. See figure 2-35.

5. Make sure that cylinder bores, pistons, connecting rod bearings and crankshaft journals are absolutely clean, then coat all bearing surfaces with engine oil.

6. Before installation of a piston and rod

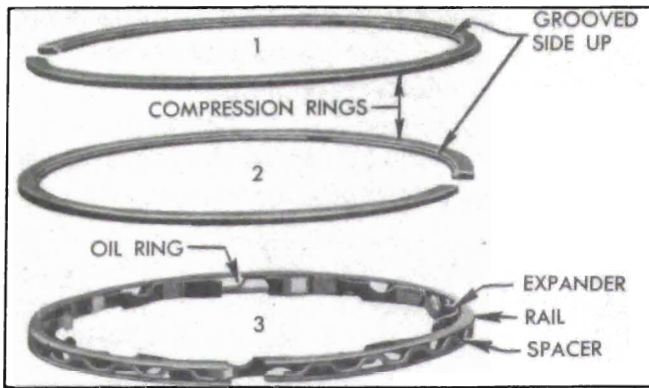


Figure 2-35—Compression and Oil Rings

assembly in its cylinder bore, turn crankshaft to place the crankpin straight down.

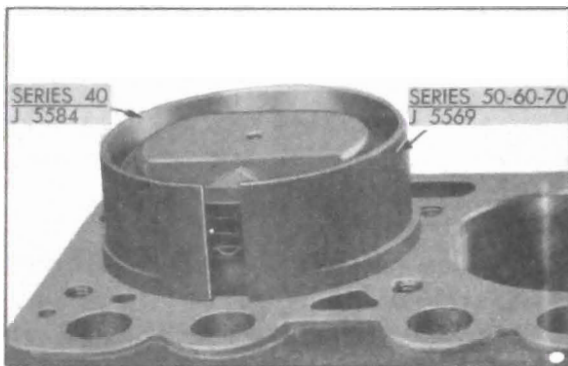


Figure 2-36—Installing Piston with Ring Compressor

7. Remove cap, and with bearing upper shell seated in connecting rod, install the *long* Guide J 5239-2 on bolt which is on same side of rod as the piston pin clamp bolt. Install *short* Guide J 5239-1 on the other connecting rod bolt.

These guides hold the upper bearing shell in place and protect the crankpin journal from damage during installation of connecting rod and piston assembly.

8. Make sure that gap in oil rails are on same side as valve depressions in piston head so that gap will be on high side of cylinder bore, turn compression rings so that gaps are not in line, then compress all rings with Ring Compressor. See figure 2-36.

9. Insert piston and rod assembly into its cylinder bore with the long guide pin placed above the crankpin. Push the assembly down until the rod bearing seats on crankpin. See figure 2-31.

10. Select new connecting rod bearing, if necessary, as described in paragraph 2-17. Otherwise, install cap with bearing lower shell on rod and tighten bolt nuts to 40-45 ft. lbs. torque.

11. Install all other piston and rod assemblies in the same manner.

When parts are properly installed, the valve clearance depressions in all cylinder heads and the clamp bolts in all connecting rods will be toward the camshaft. The rib on edge of rod cap will be on same side as the conical boss on web of rod, and these marks will be toward the other connecting rod on the same crankpin.

12. Check end clearance between connecting rods on each crankpin using feeler gauges. Clearance should be .004"-.008".

13. Install cylinder heads (par. 2-14, d) oil pump (par. 2-25) and lower crankcase.

IMPORTANT: After installation of new pistons and rings, care should be used in starting the engine and in running it for the first hour. Avoid high speeds until the parts have had a reasonable amount of break-in so that scuffing will not occur.