

## SECTION 1-C

### INSTRUMENT PANEL

#### CONTENTS OF SECTION 1-C

Paragraph	Subject	Page
1-16	Instrument Panel Compartment.	1-27
1-17	Instrument Panel Assemblies...	1-28

### 1-16 INSTRUMENT PANEL COMPARTMENT

#### a. Removal and Installation of Instrument Panel Compartment Door

1. Mark location of compartment door hinge on door inner panel.
2. Remove attaching screws at door hinge and door stop from door inner panel and remove door. See Figure 1-40.
3. To install, reverse removal procedure and align as necessary.

#### b. Adjustments on Instrument Panel Compartment Door

1. To position compartment door up or down in its opening, loosen hinge and hinge stop screws at door inner panel and shift door to desired position.
2. To reposition door right or left, loosen hinge to instrument panel attaching screws and shift door to desired position. Adjust stop assembly as required.
3. The compartment door lock striker may be adjusted by loosening attaching screws and moving striker to desired position (Figure 1-40).

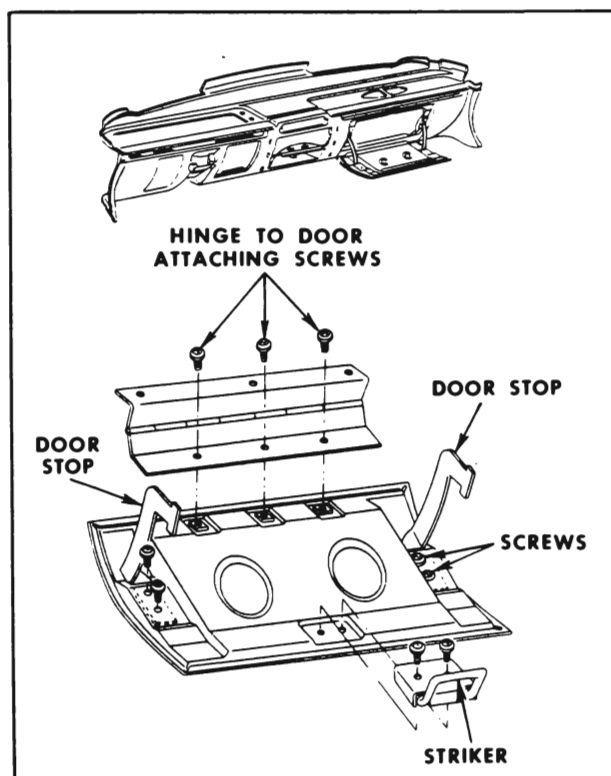


Figure 1-40—Instrument Panel Compartment Door Assembly

#### c. Removal and Installation of Instrument Panel Compartment Door Hinge Stop Assembly

1. Remove hinge stop attaching screws (Figure 1-40), disengage stop assembly from instrument panel door and remove stop.
2. To install, reverse removal procedure. Check for proper alignment.

#### d. Removal and Installation of Instrument Panel Compartment Door Knob Assembly

1. Open compartment door, remove screw from retainer and remove knob assembly.
2. To install, reverse removal procedure.

#### e. Removal and Installation of Instrument Panel Compartment

The instrument panel compartment is secured to the instrument panel by screws.

1. Open compartment door, remove compartment attaching screws and remove compartment assembly.

2. To install, reverse removal procedure.

**f. Removal and Installation of Panel Compartment Door Knob Assembly**

The instrument panel compartment door knob assembly is secured to the instrument panel knob support by screws which are hidden by the instrument panel compartment assembly.

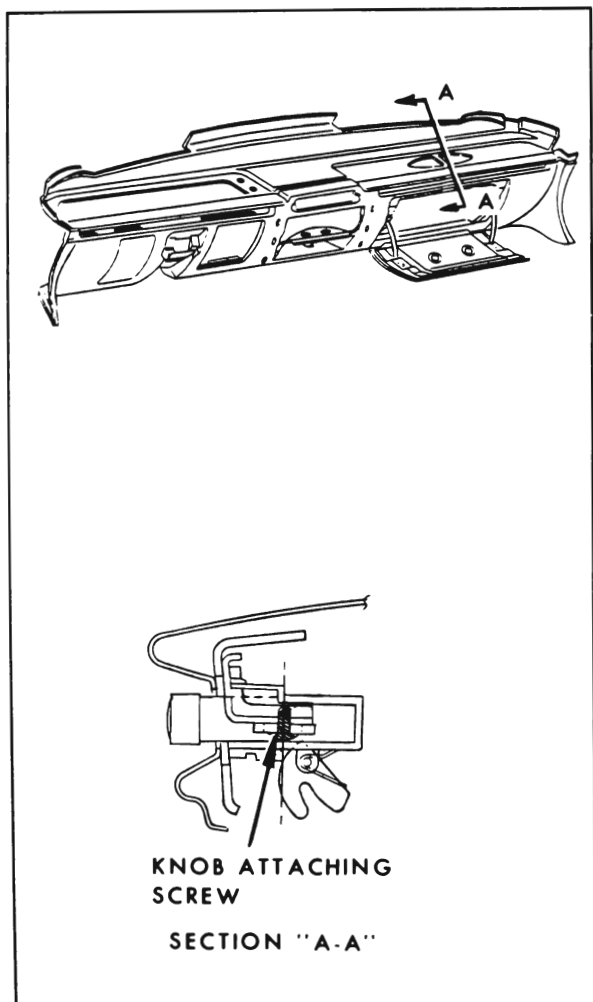


Figure 1-41—Instrument Panel Compartment Door Locking Knob Assembly

1. Remove instrument panel compartment assembly.

2. From underside of instrument panel remove knob assembly attaching screws and assembly. See Figure 1-41.

3. To install, reverse removal procedure and check for proper operation.

**1-17 INSTRUMENT PANEL ASSEMBLIES**

**a. Removal and Installation of Instrument Panel End Filler Panel**

**NOTE:** Remove necessary chassis items.

1. Remove windshield side garnish moldings.

2. Remove filler panel attaching screws (Figure 1-42) and remove filler panel.

3. To install, reverse removal procedure.

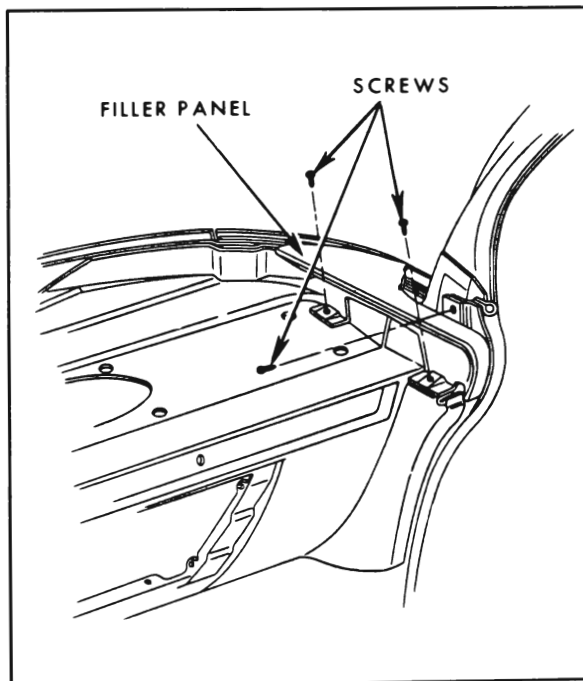


Figure 1-42—Instrument Panel End Filler Panel