

SECTION A

RADIATOR AND GRILLE

4D-4F-4G-4H SERIES

CONTENTS

Division	Subject	Page No.
I	TRUBLE DIAGNOSIS: (Not Applicable)	
II	DESCRIPTION AND OPERATION: (Not Applicable)	
III	ADJUSTMENTS AND MINOR SERVICE: (Not Applicable)	
IV	REMOVAL AND INSTALLATION: Radiator Mounting	130-2
V	OVERHAUL AND MAJOR SERVICE: (Not Applicable)	
VI	SPECIFICATIONS: (Not Applicable)	

DIVISION IV

REMOVAL AND INSTALLATION

130-1 RADIATOR MOUNTING

The radiator mounting is a four-point system using rubber inserts on "U" shaped brackets (for the lower mounting). The radiator upper mounting points are part of the upper radiator panel. The lower brackets mount on the lower portion of the radiator mounting panel.

Index of Illustrations

Figure Number	Description
130-1	4D-4F-4G-4H Standard, A/C and Heavy Duty Cooling; Radiator and Support Assembly
130-2	4D-4F-4G-4H Radiator Overflow Reservoir and Tubes
130-3	4D-4F-4G-4H Headlamps and Horns
130-4	4D-4F-4G-4H Grille - Radiator and Monogram

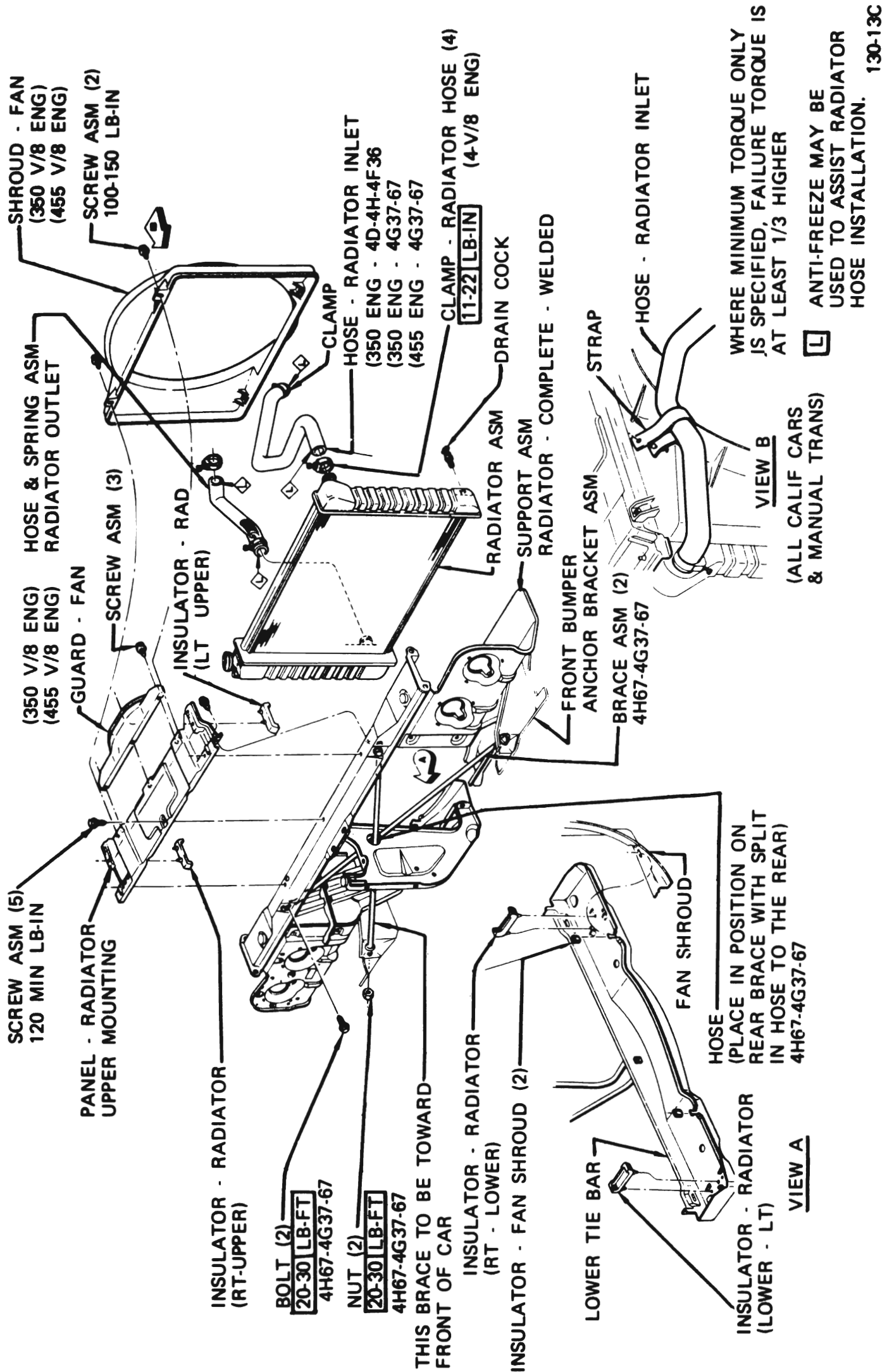


Figure 130-1 - 4D-4F-4G-4H Standard, Air Conditioning and Heavy Duty Cooling, Radiator and Support Assembly

COOLING SYSTEM IS TO BE
PRESSURE CHECKED FOR LEAKS WITH
14 TO 17 LBS AIR PRESSURE AT
RADIATOR NECK

1 SEALING SURFACE INSIDE RAD-
IATOR FILLER NECK MUST BE
CLEAN AND FREE OF FOREIGN
MATERIAL WHEN CAP IS INSTALLED

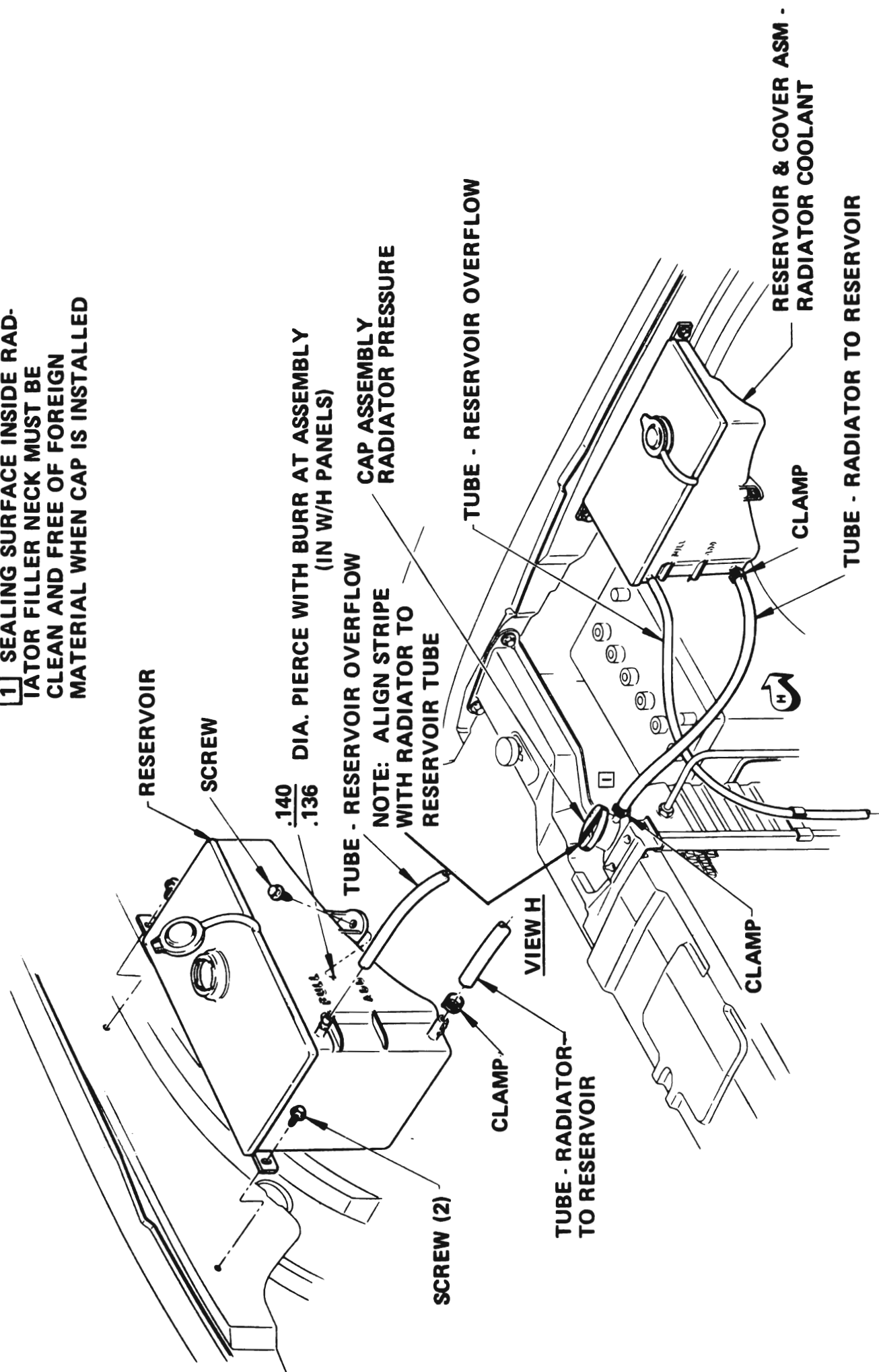


Figure 130-2 - 4D-4F-4G-4H Radiator Overflow Reservoir and Tubes

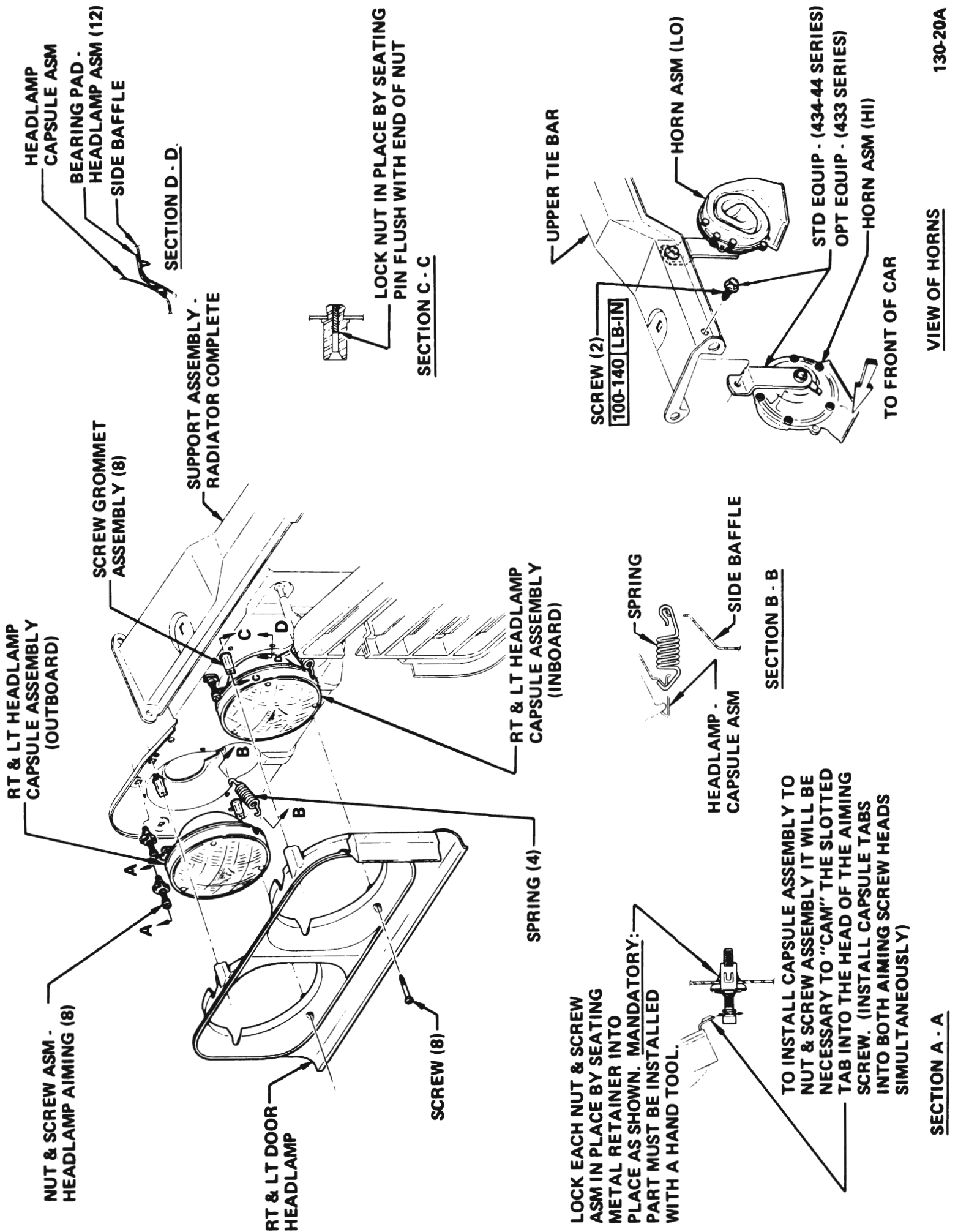
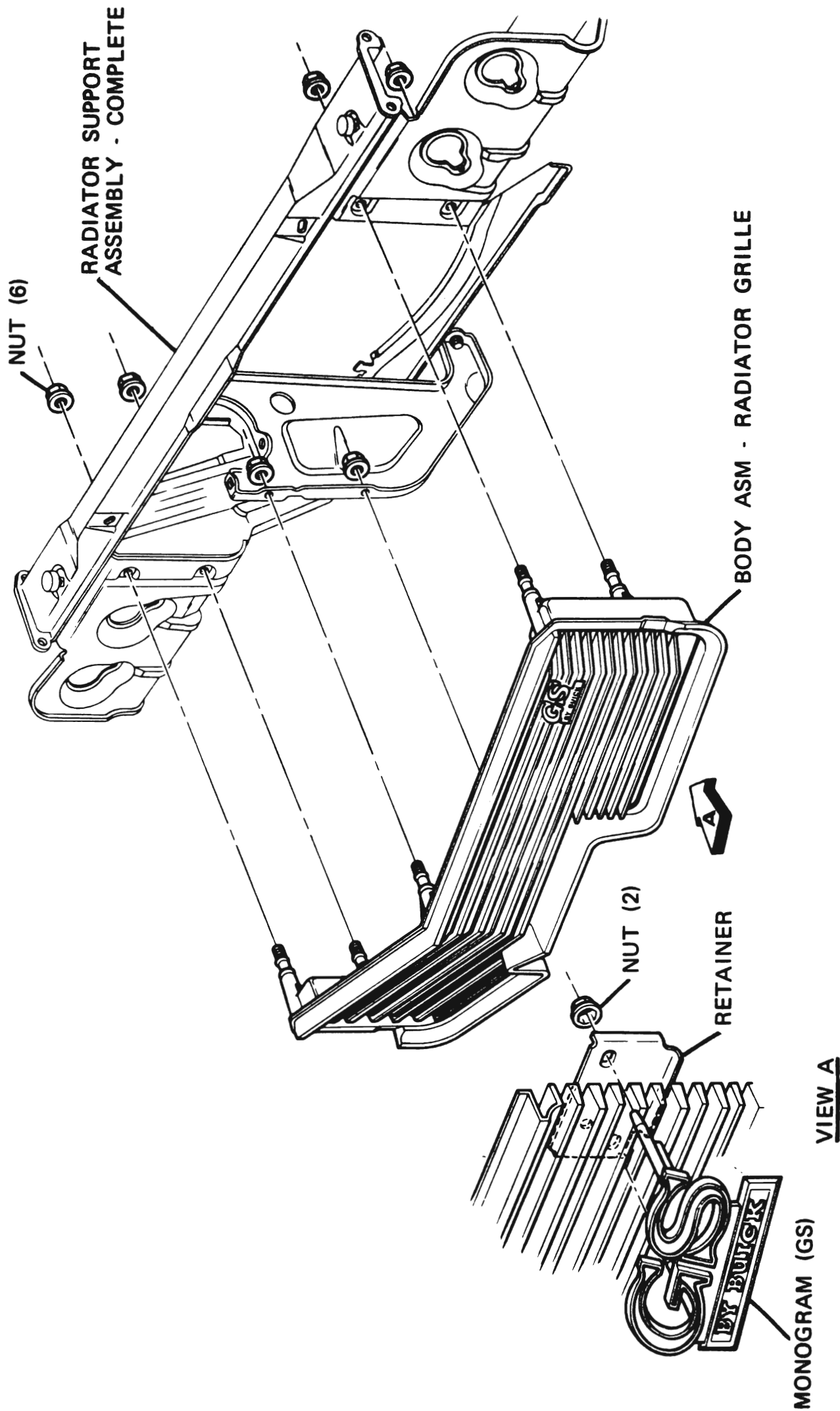


Figure 130-3 - 4D-4F-4G-4H Headlamps and Horns



130-21A

Figure 130-4 - 4D-4F-4G-4H Grille - Radiator and Monogram