

SECTION B**BUMPERS****4L-4N-4R-4P-4U-4V SERIES****CONTENTS**

Division	Subject	Page No.
I	TROUBLE DIAGNOSIS: (Not Applicable)	
II	DESCRIPTION AND OPERATION: (Not Applicable)	
III	ADJUSTMENTS AND MINOR SERVICE: Adjustment of Front and Rear Bumper	140-8
IV	REMOVAL AND INSTALLATION: Refer to Illustrations	140-9
V	OVERHAUL AND MAJOR SERVICE: (Not Applicable)	
VI	SPECIFICATIONS: (Not Applicable)	

DIVISION III**ADJUSTMENTS AND MINOR SERVICE****140-2 ADJUSTMENT OF FRONT AND REAR
BUMPER**

The front bumper brackets and supports are slotted to allow alignment to adjacent parts. The rear bumper brackets and braces are also slotted to permit alignment.

Index of Illustrations

Figure Number	Description
140-6	4L-4N-4R-4P-4U-4V Bumper - Front Anchor Bracket and Filler
140-7	4L-4N-4R-4P-4U-4V Bumper - Front Reinforcements
140-8	4L-4N-4R-4P-4U-4V Bumper - Front Bumper Face Plate and Cushion Assembly
140-9	4L-4N-4R-4P-4U-4V Bumper - Front Bezel Assembly, Park and Turn Lamp and Grille Assembly
140-10	4L-4N-4R-4P-4U-4V Bumper - Front Bracket Mounting and Outer Support
140-11	4L-4N-4R-4P-4U-4V Guard Assembly - Front Bumper - Optional
140-12	4L-4N-4P Bumper - Rear Face Plate, License Filler Door and Lamp
140-13	4L-4N-4P Bumper - Rear Brackets - Anchor to Frame and Guard Assembly
140-14	4U-4V Bumper - Rear
140-15	4R Bumper - Rear - Brackets to Bumper

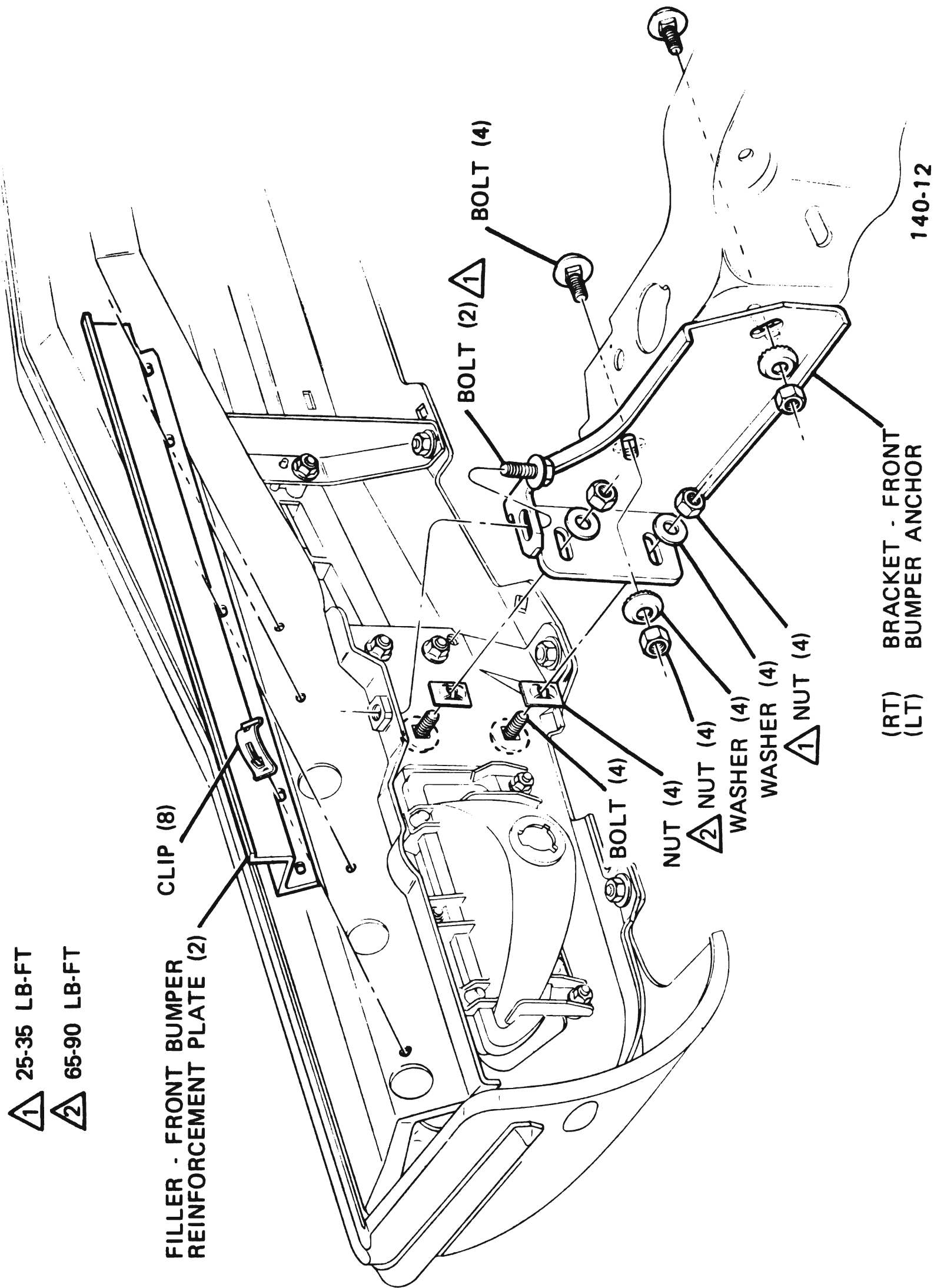
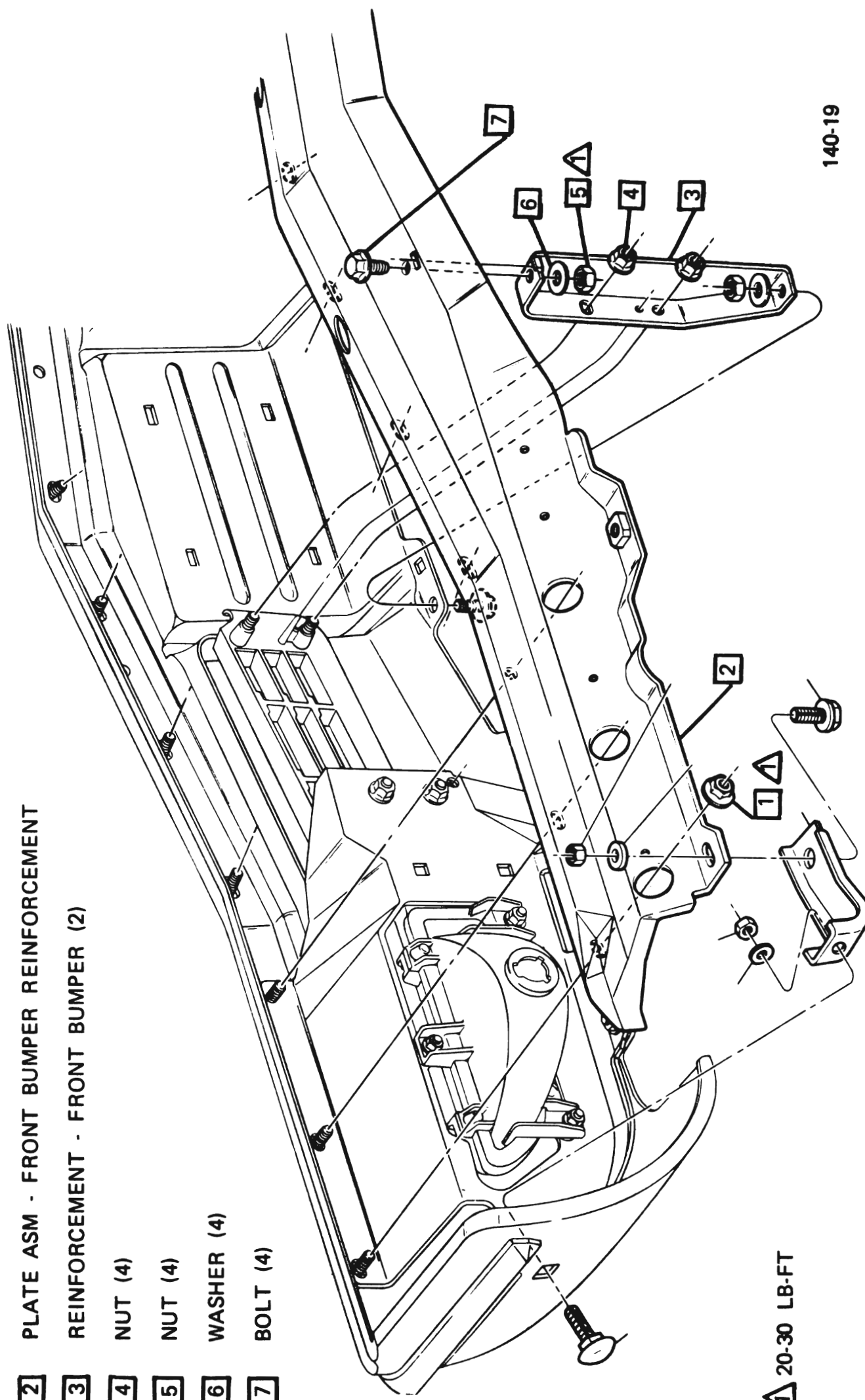


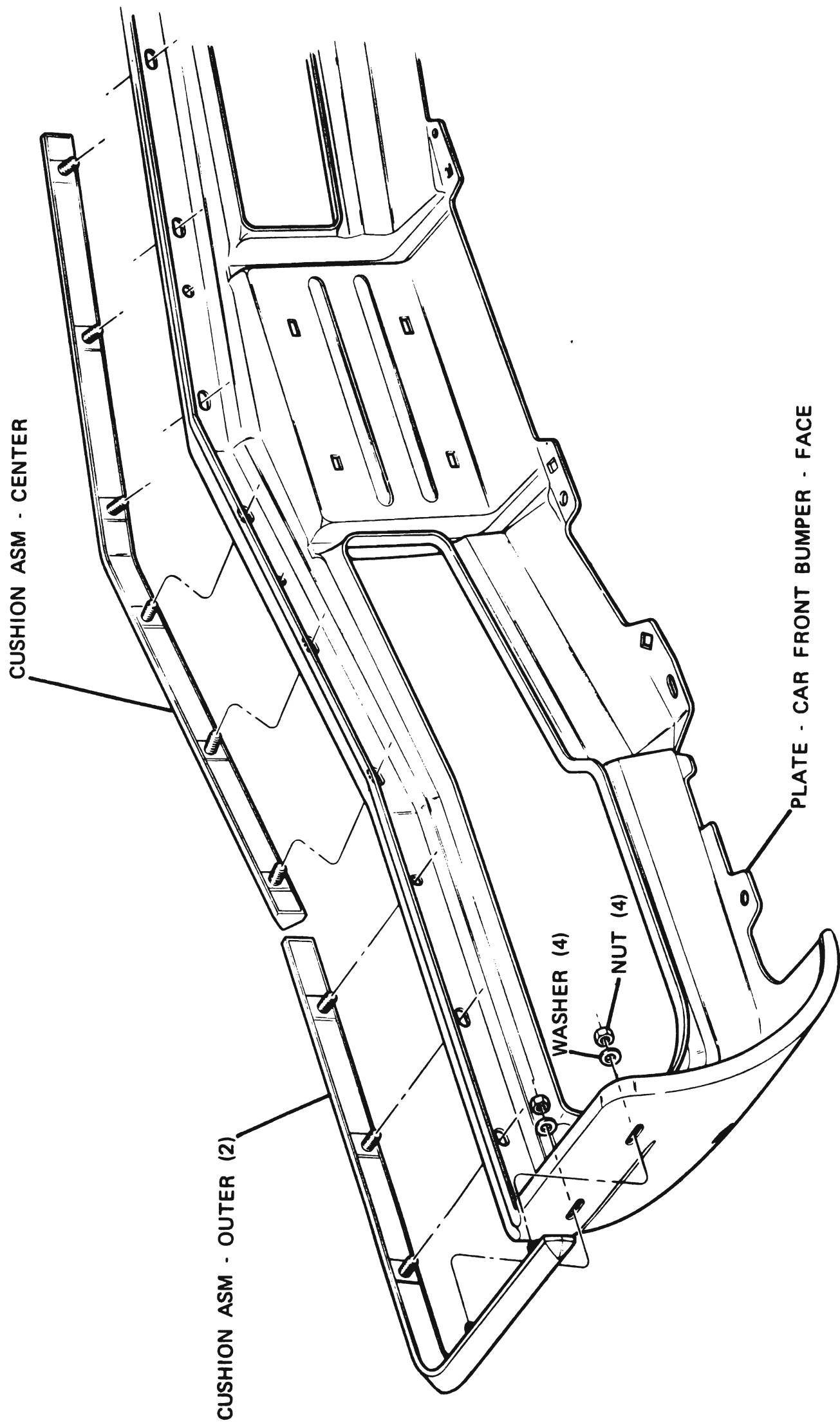
Figure 140-6 - 4L-4N-4R-4P-4U-4V Bumper - Front Anchor Bracket and Filler

- 1** NUT (12)
- 2** PLATE ASM - FRONT BUMPER REINFORCEMENT
- 3** REINFORCEMENT - FRONT BUMPER (2)
- 4** NUT (4)
- 5** NUT (4)
- 6** WASHER (4)
- 7** BOLT (4)



△ 20-30 LB-FT

Figure 140-7 - 4L-4N-4R-4P-4U-4V Bumper - Front Reinforcements



140-51

Figure 140-8 - 4L-4N-4R-4P-4U-4V Bumper - Front Bumper Face Plate and Cushion Assembly

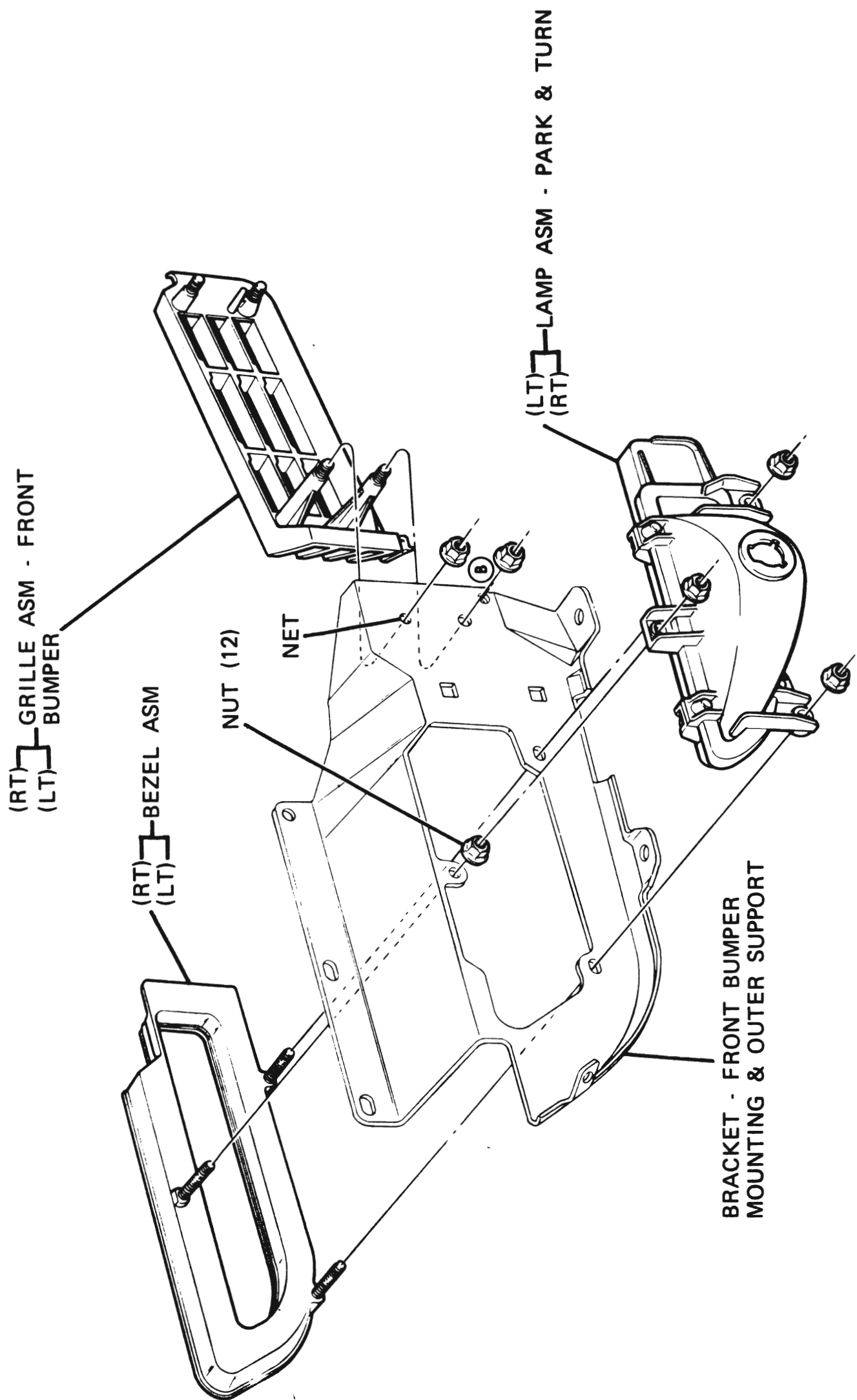
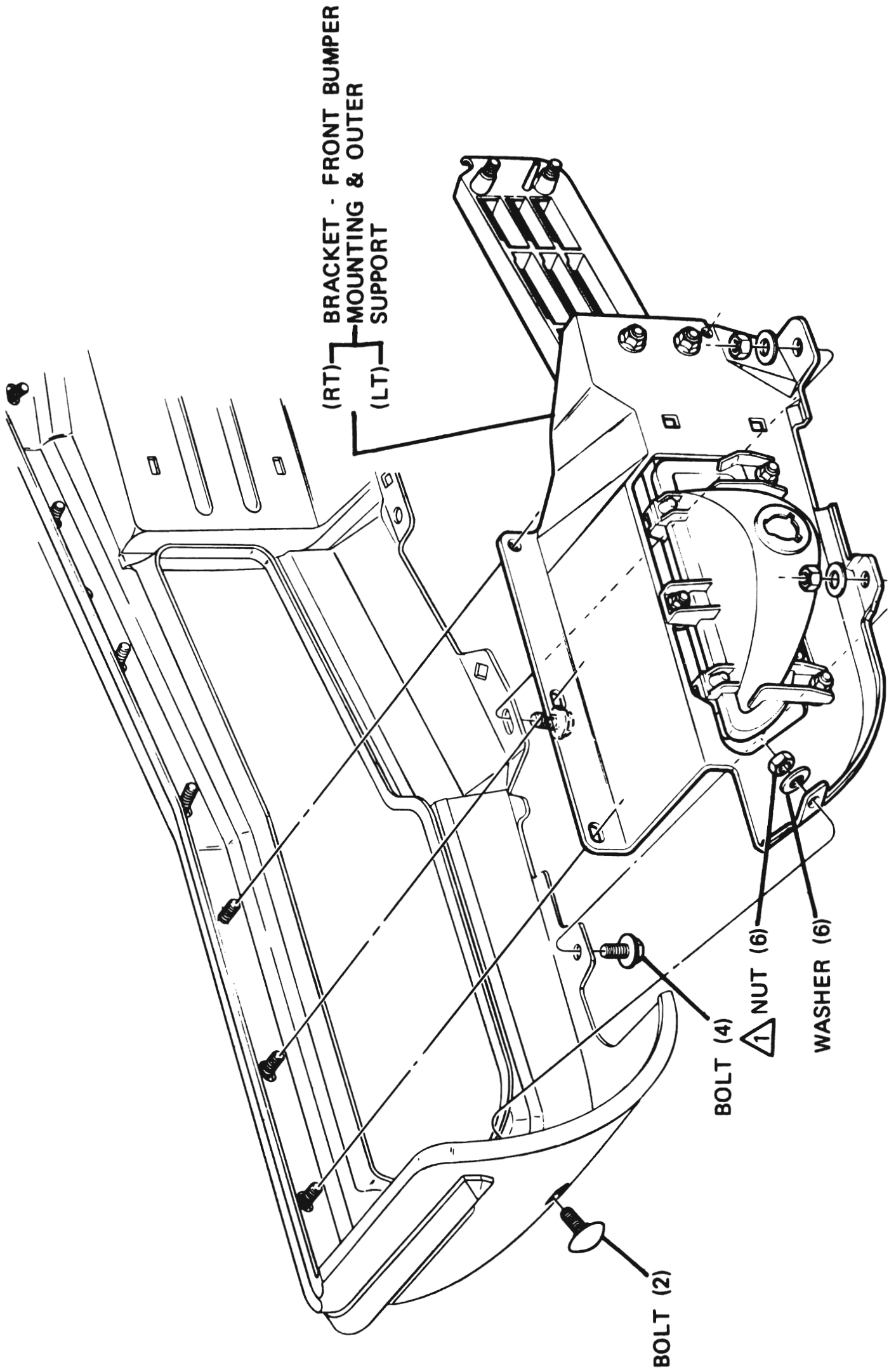


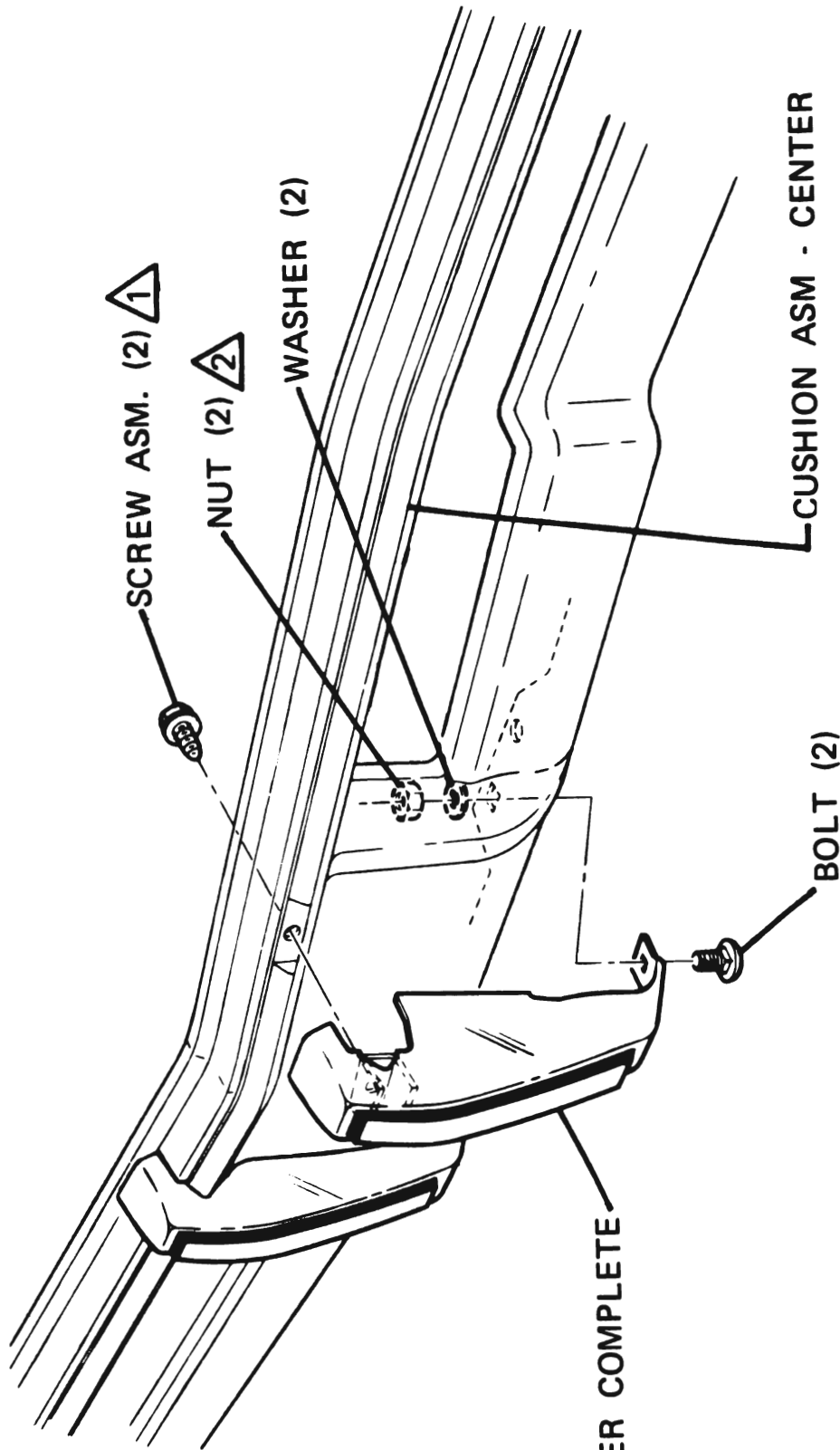
Figure 140-9 - 4L-4N-4R-4P-4U-4V Bumper - Front Bezel Assembly, Park and Turn Lamp and Grille Assembly



140-53

1 20-30 LB-FT

Figure 140-10 · 4L-4N-4R-4P-4U-4V Bumper · Front Bracket Mounting and Outer Support



RT.
LT

GUARD ASM -
FRONT BUMPER COMPLETE

CUSHION ASM - CENTER

BOLT (2)

SCREW ASM. (2) 1

NUT (2) 2

WASHER (2)

1 15-20 LB-FT

2 20-30 LB-FT

Figure 140-11 - 4L-4N-4R-4P-4U-4V Guard Assembly - Front Bumper - Optional

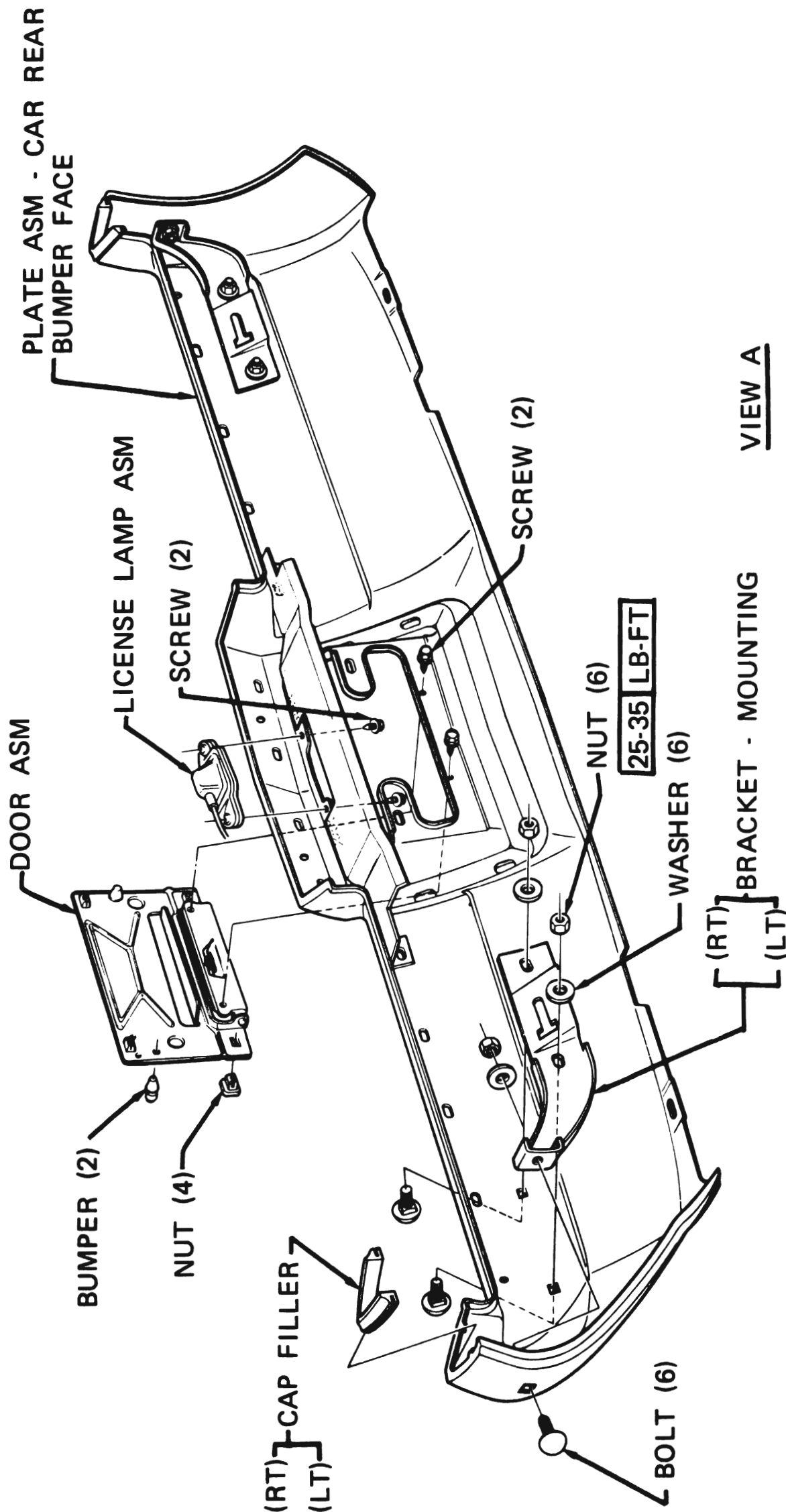
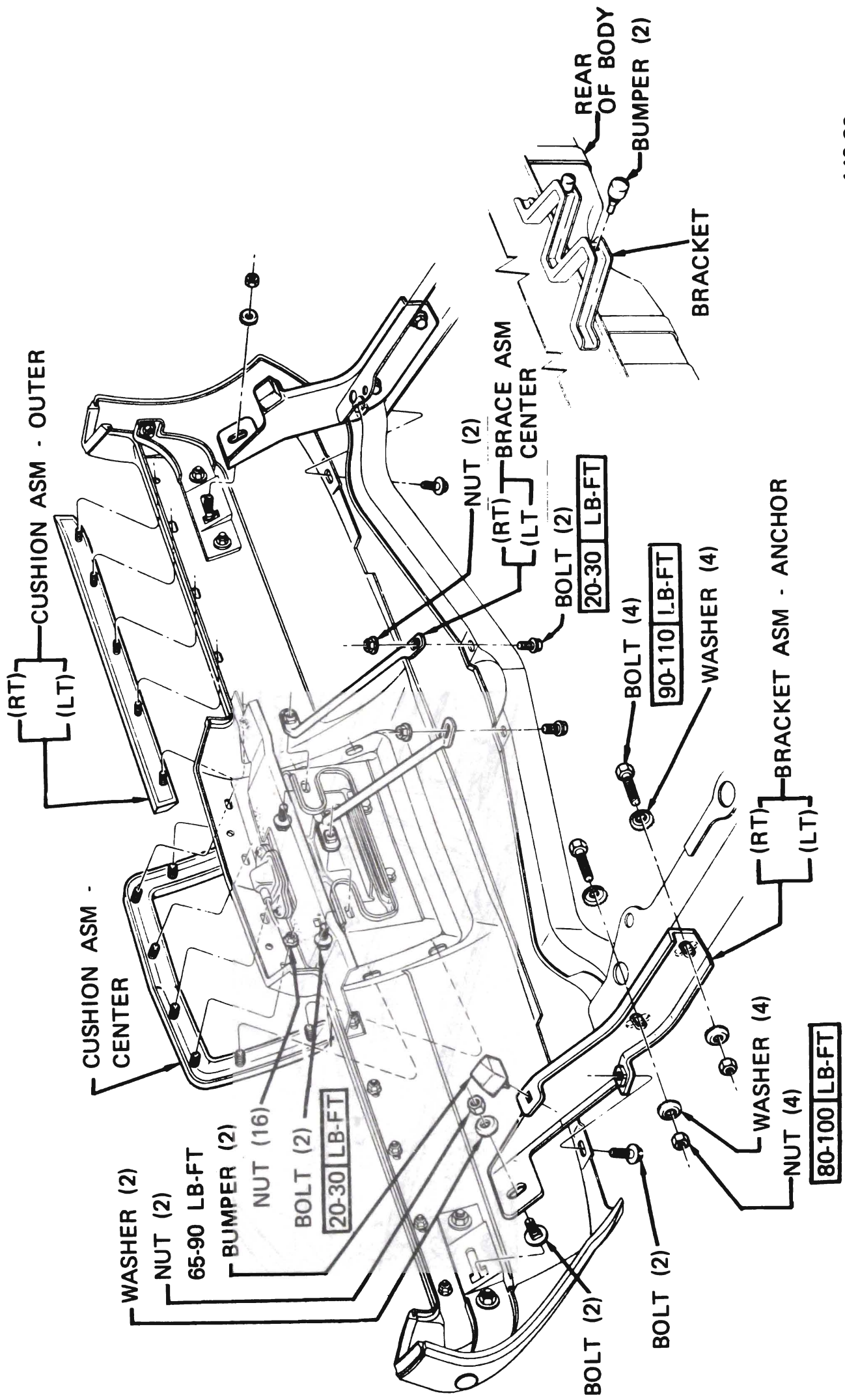


Figure 140-12 - 4L-4P Bumper - Rear Face Plate, License Filler Door and Lamp



140-20

Figure 140-13 - 4L-4N-4P Bumper - Rear Brackets - Anchor to Frame and Guard Assembly

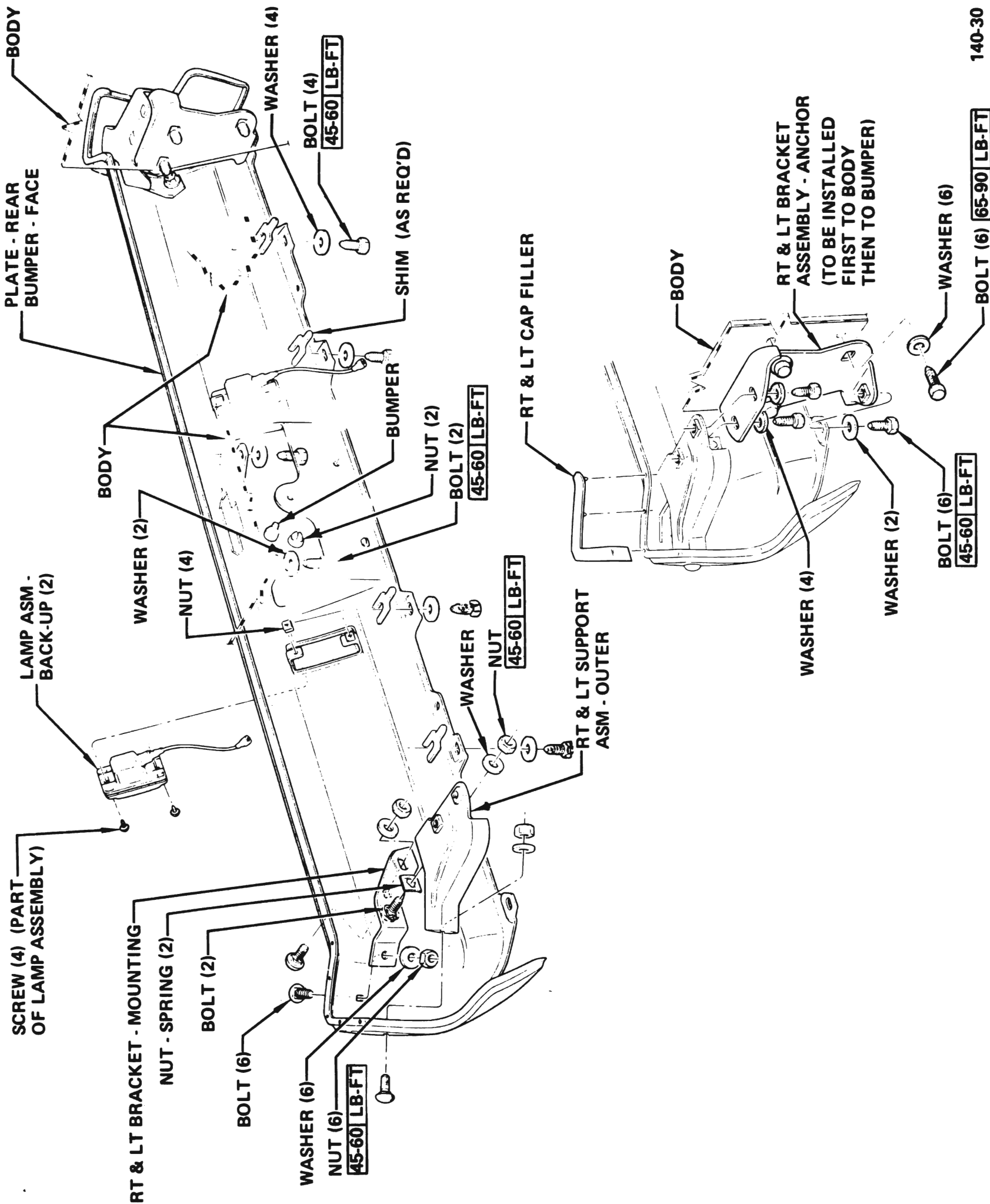


Figure 140-15 - 4R Bumper - Rear - Brackets to Bumper