

SECTION C**BUMPERS****4Y SERIES****CONTENTS**

Division	Subject	Page No.
I	TROUBLE DIAGNOSIS: (Not Applicable)	
II	DESCRIPTION AND OPERATION: (Not Applicable)	
III	ADJUSTMENTS AND MINOR SERVICE: Adjustment of Front and Rear Bumper	140-19
IV	REMOVAL AND INSTALLATION: Refer to Illustrations	140-20
V	OVERHAUL AND MAJOR SERVICE: (Not Applicable)	
VI	SPECIFICATIONS: (Not Applicable)	

DIVISION III**ADJUSTMENTS AND MINOR SERVICE****140-3 ADJUSTMENT OF FRONT AND REAR
BUMPER**

The front bumper brackets and supports are slotted to allow alignment to adjacent parts. The rear bumper brackets and braces are also slotted to permit alignment.

Index of Illustrations

Figure Number	Description
140-20	4Y Bumper - Front Lamp Assembly, Carrier Assembly and Cushion Assembly
140-21	4Y Front Bumper Anchor Bracket
140-22	4Y Front Bumper Outer Support
140-23	4Y Rear Bumper

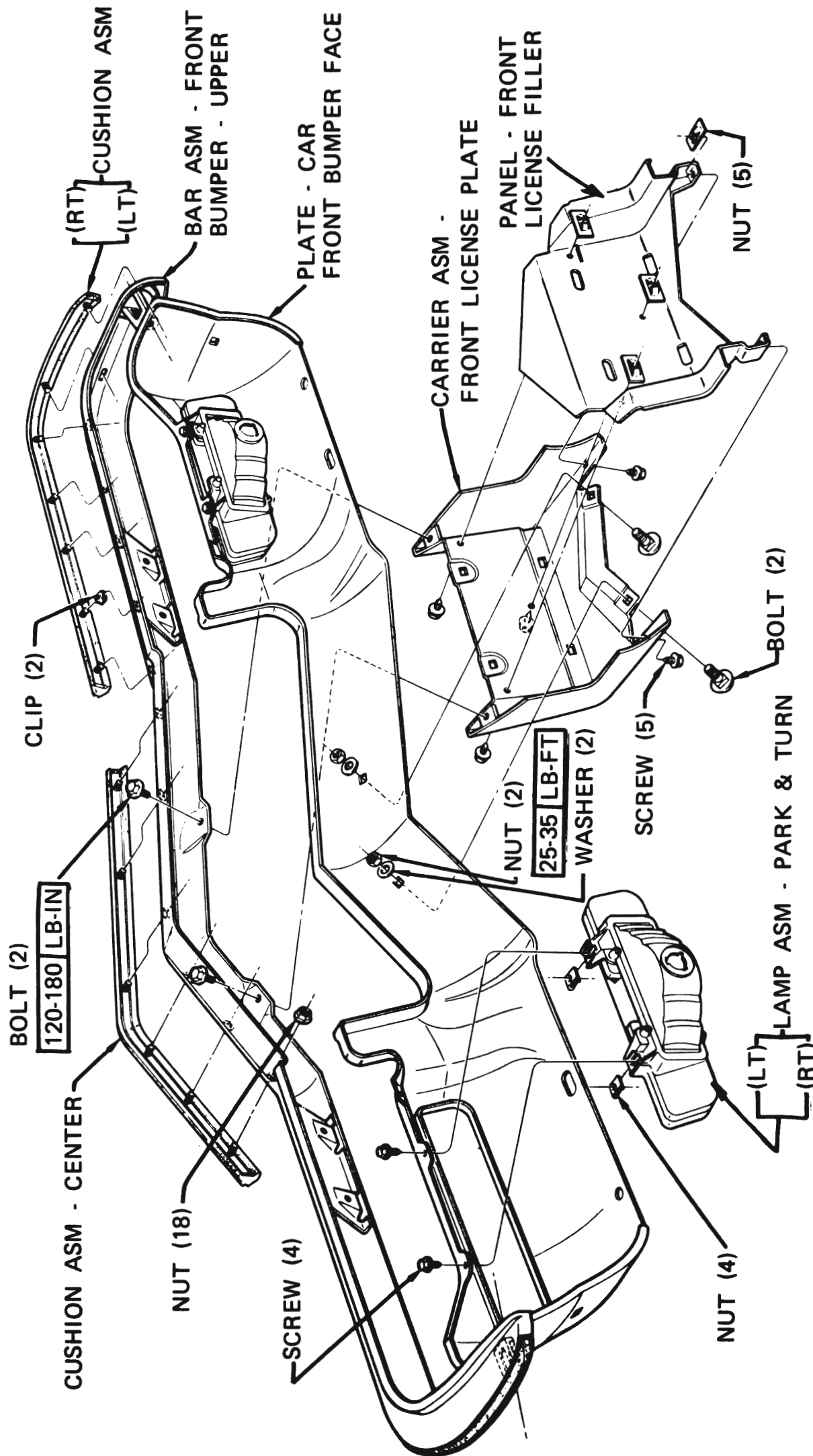
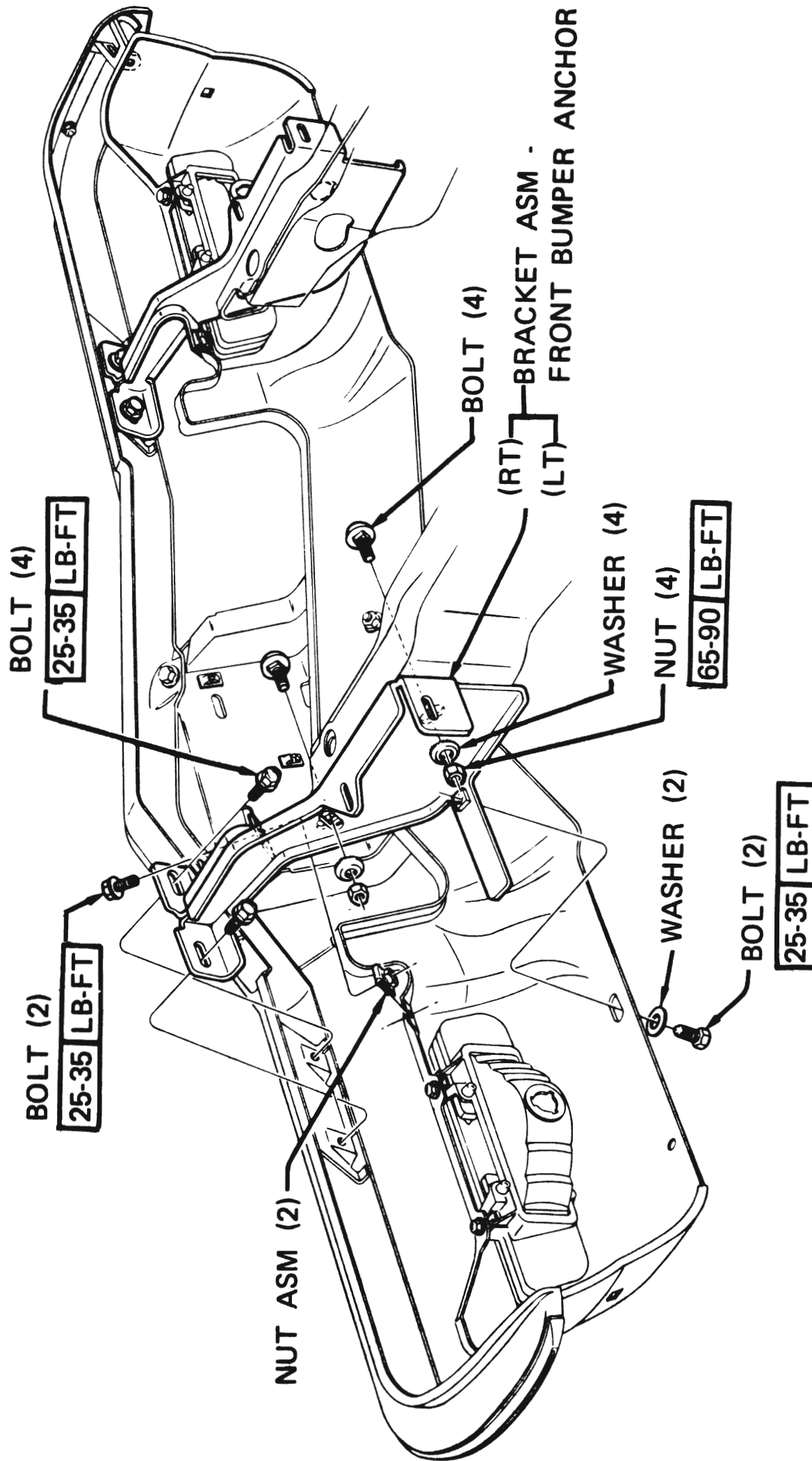
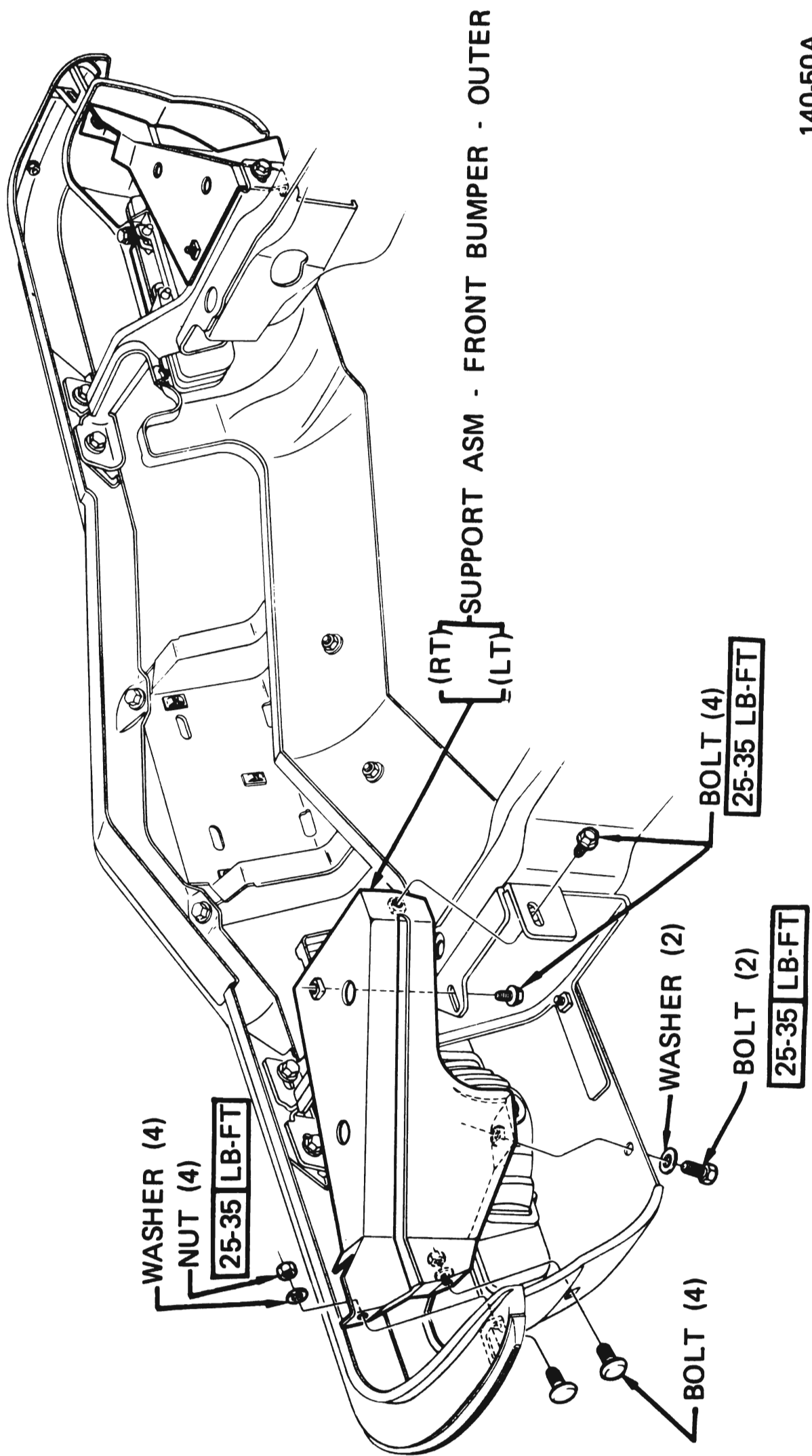


Figure 140-21 - 4Y Bumper - Front Lamp Assembly, Carrier Assembly and Cushion Assembly



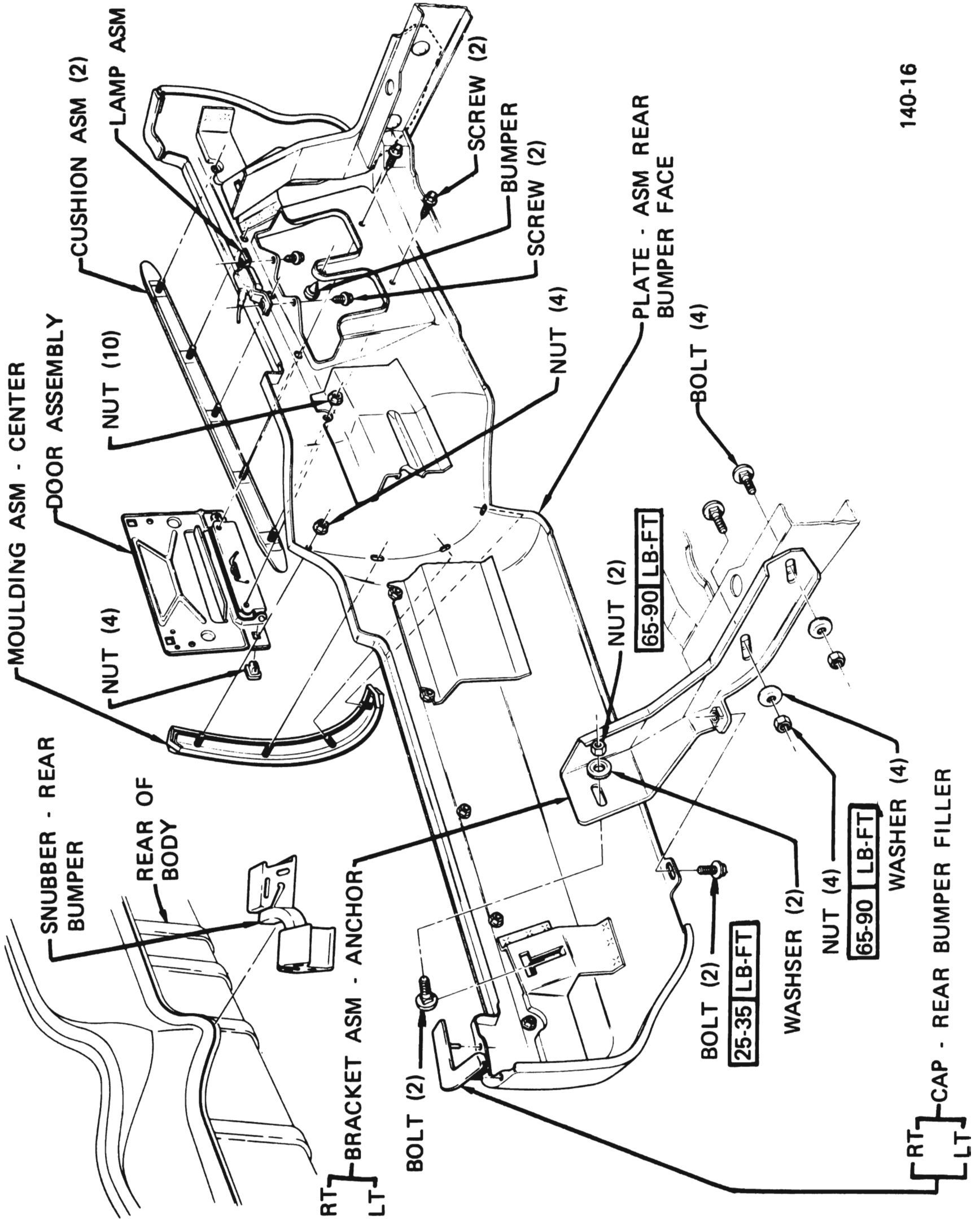
140-33

Figure 140-21 - 4Y Front Bumper Anchor Bracket



140-50A

Figure 140-22 - 4Y Front Bumper Outer Support



140-16

Figure 140-23 - 4Y Rear Bumper