

# GRILLE

## CONTENTS

Subject	Page No.
<b>DESCRIPTION AND OPERATION: (Not Applicable)</b>	
<b>DIAGNOSIS: (Not Applicable)</b>	
<b>MAINTENANCE AND ADJUSTMENTS: (Not Applicable)</b>	
<b>MAJOR REPAIR:</b>	
Radiator Grille Removal and Installation .....	8C-41
Bumper Grille Removal and Installation .....	8C-43
<b>SPECIFICATIONS: (Not Applicable)</b>	

### MAJOR REPAIR

#### RADIATOR GRILLE REMOVAL AND INSTALLATION

##### A Series Removal

1. Remove battery.

2. Remove the 6 nuts that secure the grille and remove grille. See Figure 8C-2.

##### A Series Installation

1. Reverse the removal procedure for installation.

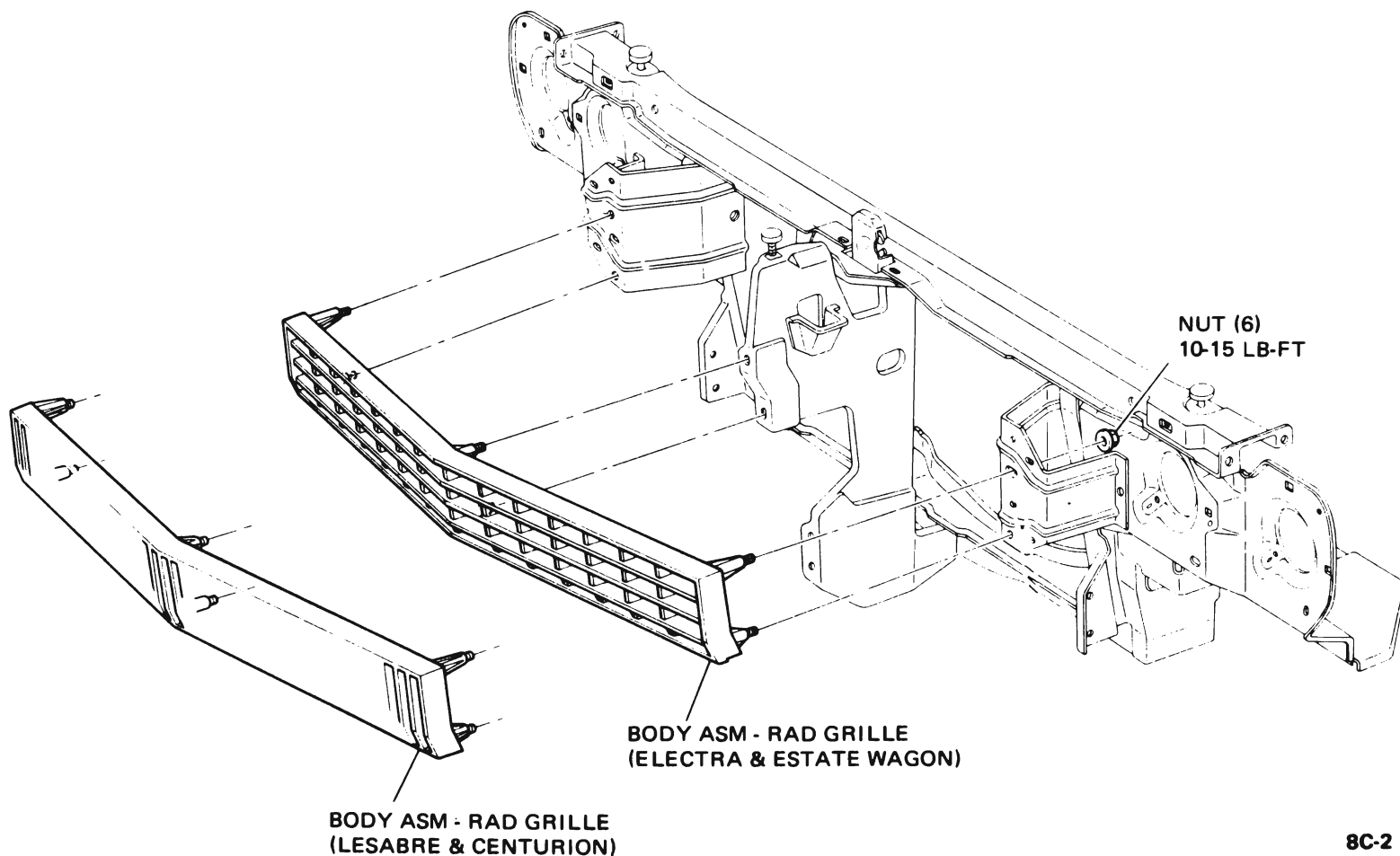


Figure 8C-1 B-C Series Radiator Grille

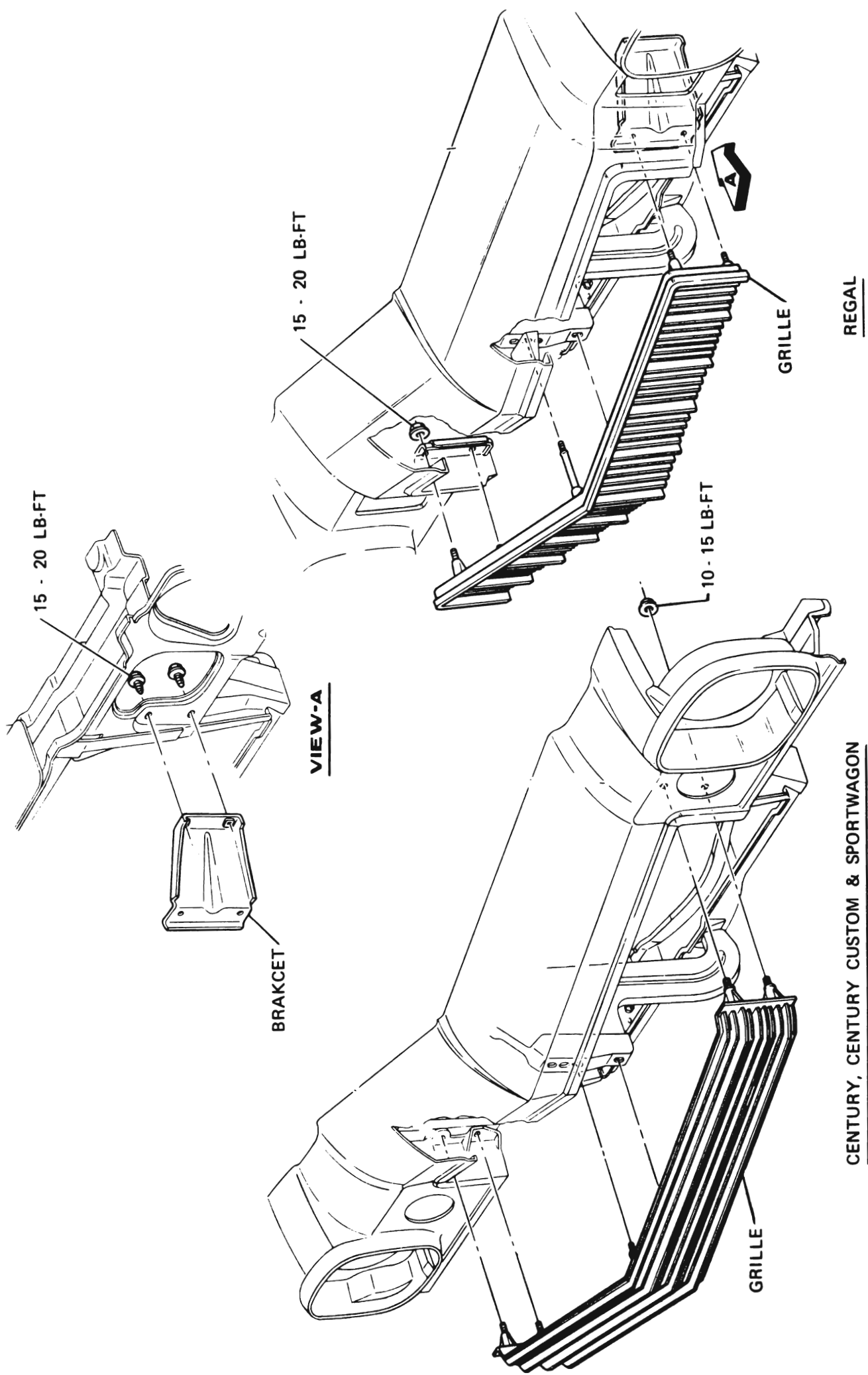


Figure 8C-2 A Series Radiator Grille Mounting

**B-C Series Removal**

1. Remove the 6 grille attaching nuts. See Figure 8C-1.
2. Remove grille forward.

**B-C Series Installation**

1. Reverse the removal procedure for installation.

**E Series Removal**

1. Remove the 6 attaching nuts and remove the grille. See Figure 8C-3.

**E Series Installation**

1. Reverse the removal procedure for installation.

**BUMPER GRILLE REMOVAL AND INSTALLATION****A Series Removal**

1. From behind the bumper, remove the 2 bolts and 1 nut on each of the 4 grille retaining brackets. Remove brackets and pull grille out from back. See Figure 8C-4.

**A Series Installation**

1. Reverse the removal procedure for installation.

**B-C Series Removal**

1. Remove 3 nuts attaching grille. Remove grille. See Figure 8C-5.

**B-C Series Installation**

1. Reverse the removal procedure for installation.

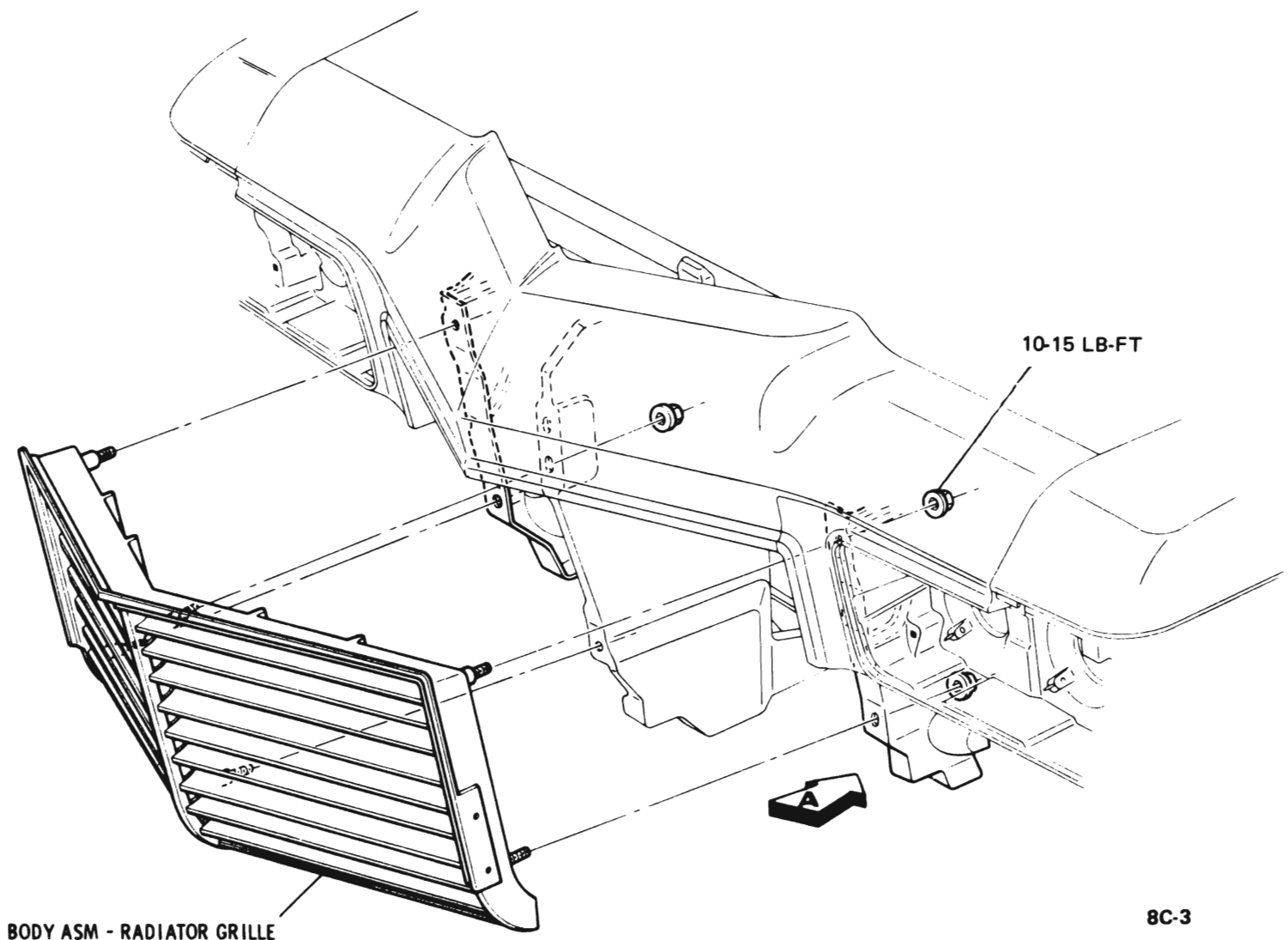
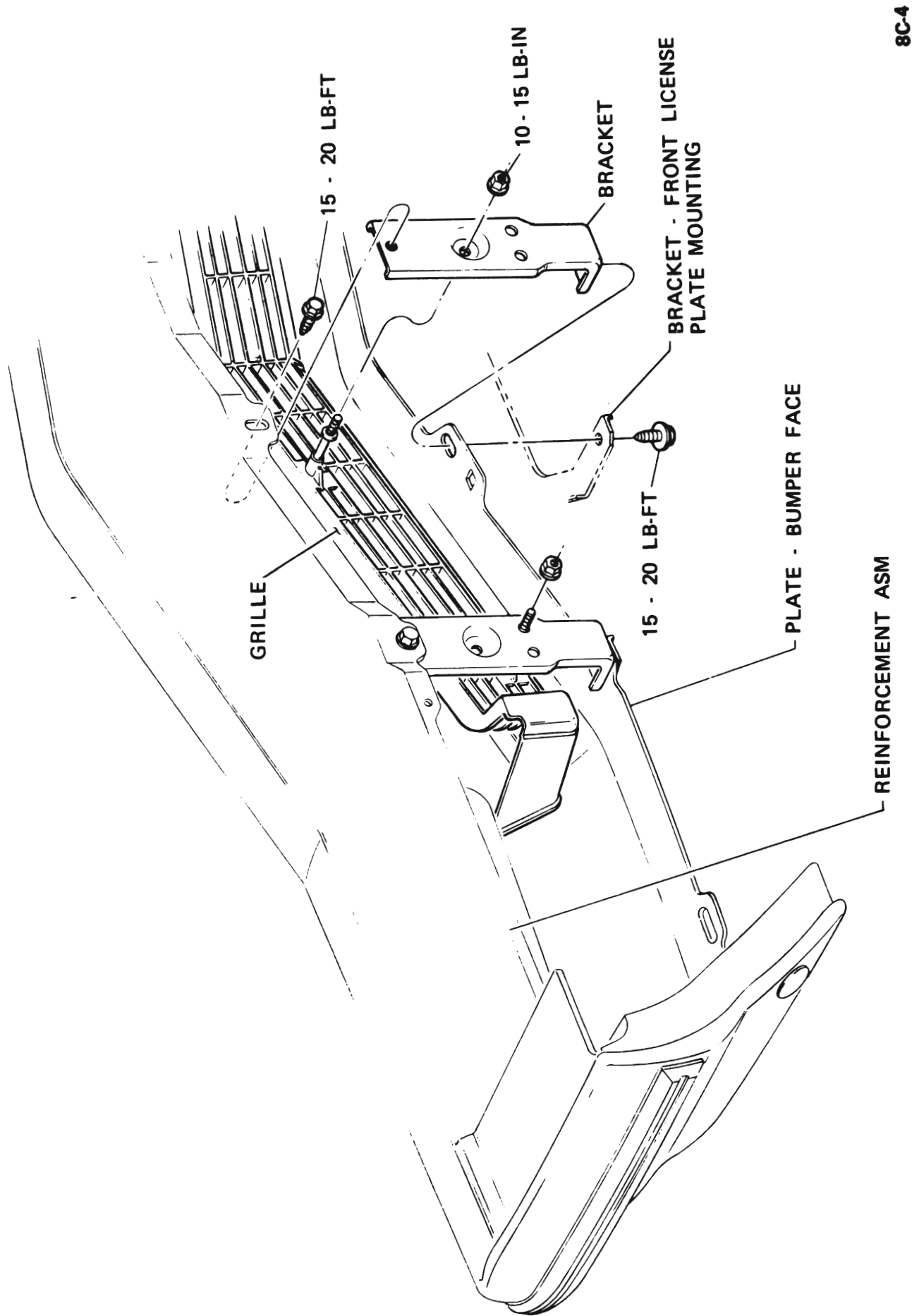


Figure 8C-3 E Series Radiator Grille



8C-4

Figure 8C-4 A Series Bumper Grille Mounting

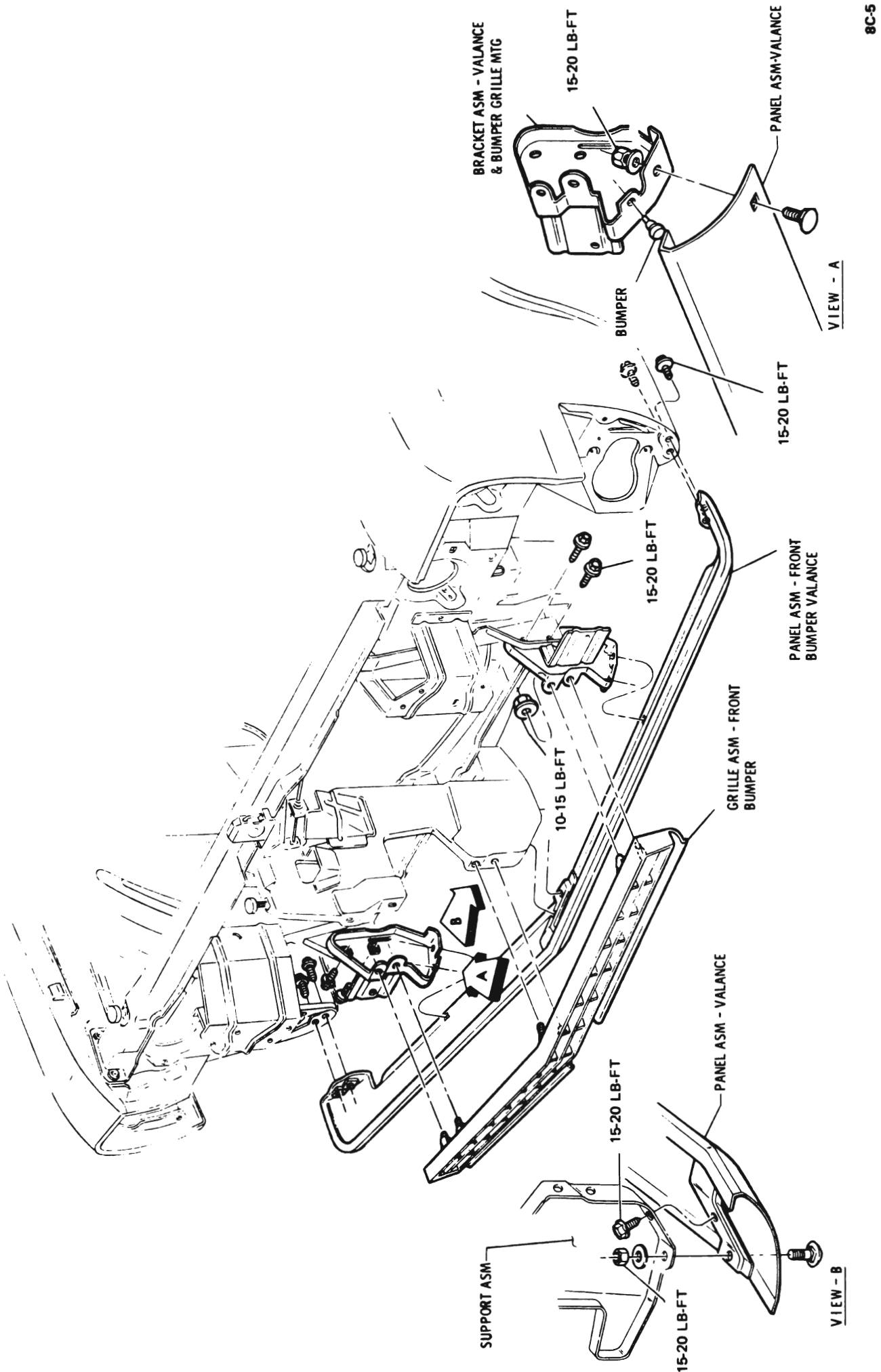


Figure 8C-5 B-C Series Bumper Grille