

GRILLE

WARNING: IF EQUIPPED WITH AIR CUSHION RESTRAINT SYSTEM DO NOT ATTEMPT ANY ADJUSTMENT, REPAIR OR REMOVAL OF ANY PORTION OF THE RADIATOR OR GRILLE WHICH WOULD REQUIRE REMOVAL OR DISCONNECTING OF THE BUMPER IMPULSE DETECTOR UNTIL THE DISCONNECTION PROCEDURE IS COMPLETED. THIS PROCEDURE MUST BE FOLLOWED TO PREVENT ACCIDENTAL DEPLOYMENT OF THE SYSTEM WHICH COULD RESULT IN PERSONAL INJURY AND/OR DAMAGE TO THE SYSTEM'S COMPONENTS. IN ADDITION, CARE MUST BE EXERCISED TO NEVER BUMP OR STRIKE THE BUMPER IMPULSE DETECTOR IN A MANNER WHICH COULD CAUSE INADVERTENT DEPLOYMENT OR IMPROPER OPERATION OF THE SYSTEM.

A.C.R.S. DISCONNECTION PROCEDURE

1. Turn ignition switch to "LOCK" position. Disconnect the negative battery cable from the battery and tape end.

CONTENTS

Subject	Page No.
DESCRIPTION AND OPERATION: (Not Applicable)	
DIAGNOSIS: (Not Applicable)	
MAINTENANCE AND ADJUSTMENTS: (Not Applicable)	
MAJOR REPAIR:	
Radiator Grille Removal and Installation	8C-40
Bumper Grille Removal and Installation	8C-41
SPECIFICATIONS: (Not Applicable)	

MAJOR REPAIR

RADIATOR GRILLE REMOVAL AND INSTALLATION

X Series Removal

1. Remove front end panel filler screws and filler panels. (Figure 8C-1)
2. Remove parking light to grille screws and place parking light assemblies out of way. See Figure 8C-2.
3. Remove grille attaching nuts (6) and pull grille forward to remove. (See Figure 8C-3). Also remove ornamentation from grille.

X Series Installation

1. Reverse the removal procedure for installation.

A Series Removal

1. Remove battery.
2. Remove the 6 nuts that secure the grille and remove grille. See Figure 8C-5.

A Series Installation

1. Reverse the removal procedure for installation.

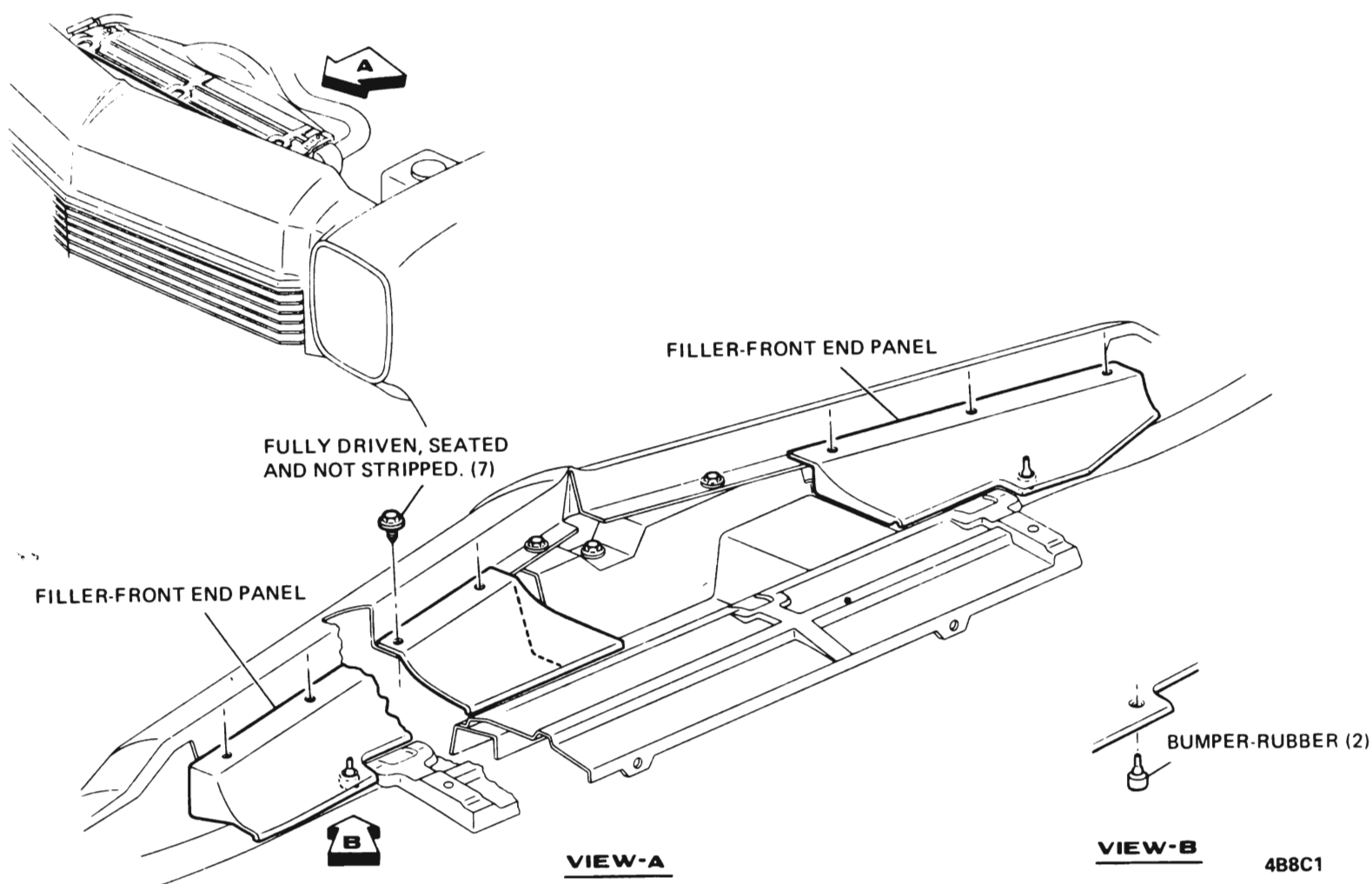


Figure 8C-1 X Series Front End Panel Filler

B-C Series Removal

1. Remove the 6 grille attaching nuts. See Figure 8C-6.
2. Remove grille forward.

B-C Series Installation

1. Reverse the removal procedure for installation.

E Series Removal

1. Remove the 6 attaching nuts and remove the grille. See Figure 8C-7.

E Series Installation

1. Reverse the removal procedure for installation.

BUMPER GRILLE REMOVAL AND INSTALLATION**Removal**

1. Remove 3 grille assembly to bumper screws. Remove assembly (See Figure 8C-4).

2. Remove screws attaching brackets to grille and remove brackets.

Installation

1. Reverse the removal procedure for installation.

A Series Removal

1. From behind the bumper, remove the 2 bolts and 1 nut on each of the 4 grille retaining brackets. Remove brackets and pull grille out from back. See Figure 8C-8.

A Series Installation

1. Reverse the removal procedure for installation.

B-C Series Removal

1. Remove 3 nuts attaching grille. Remove grille. See Figure 8C-9.

B-C Series Installation

1. Reverse the removal procedure for installation.

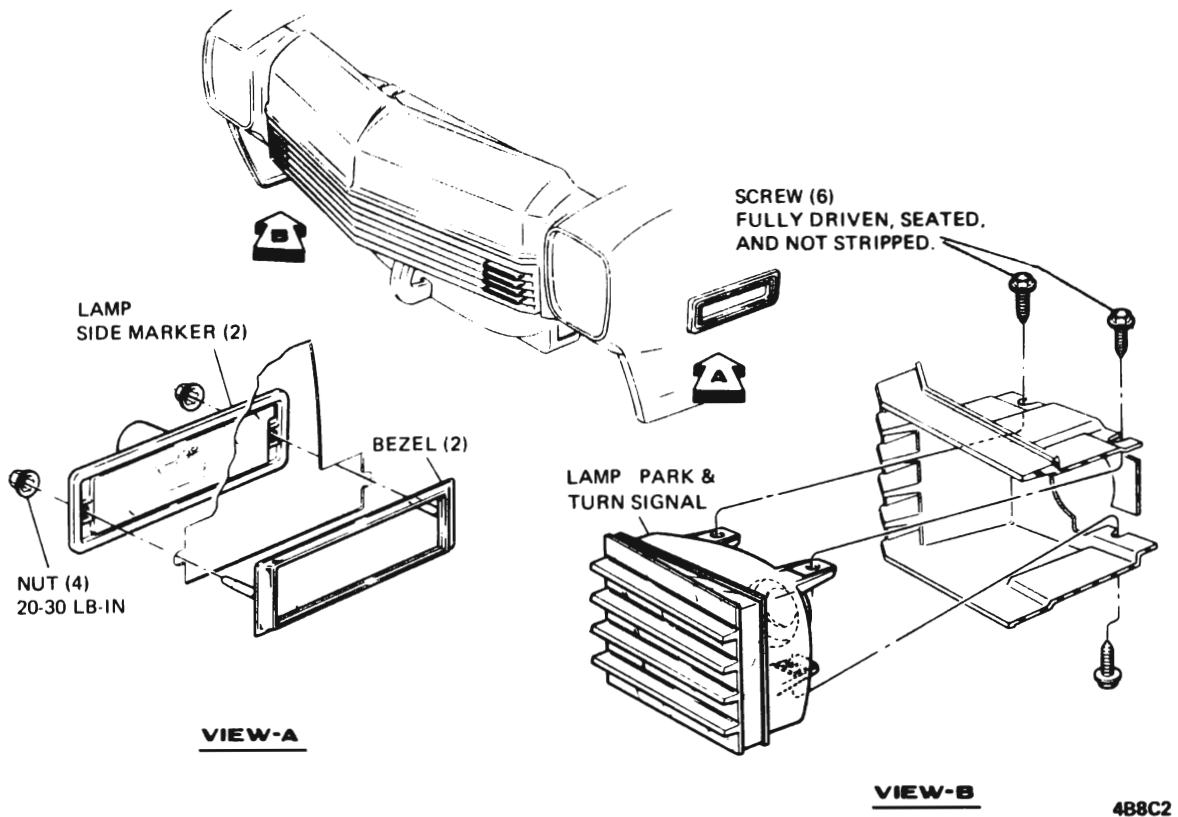


Figure 8C-2 X Series Parking Light to Grille Mounting

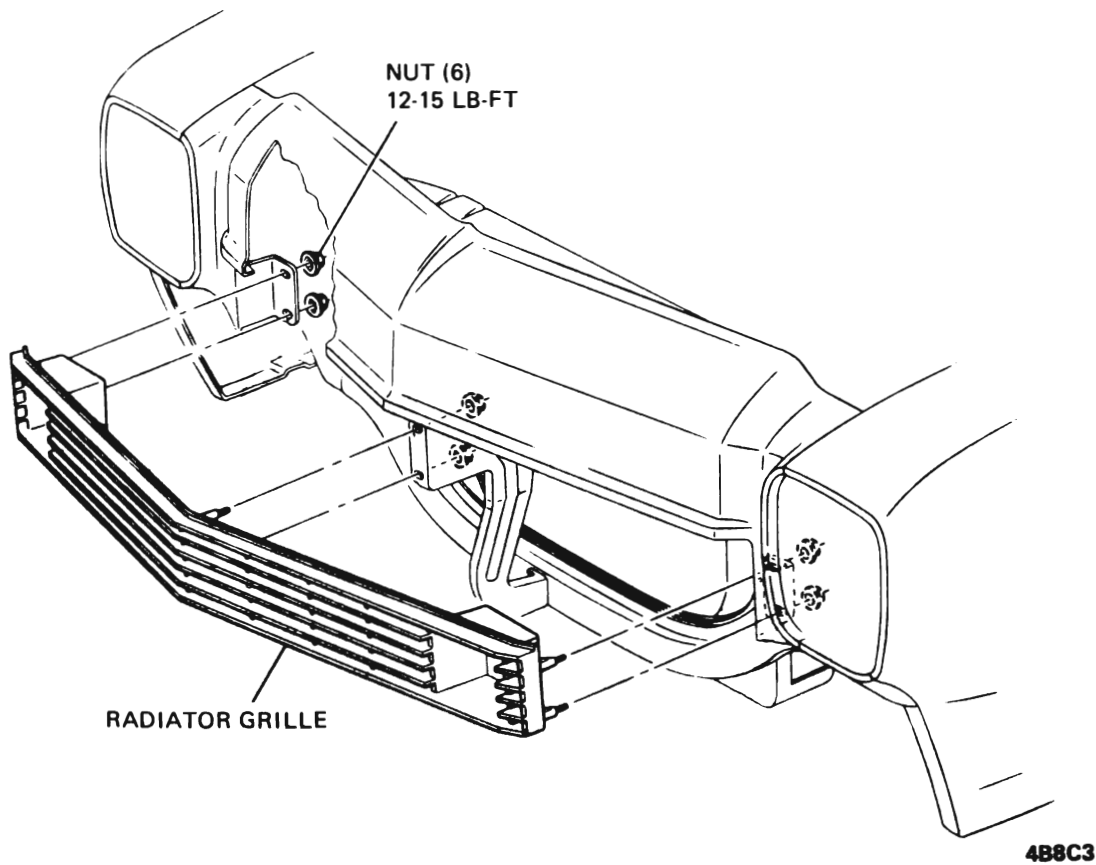


Figure 8C-3 X Series Radiator Grille Mounting

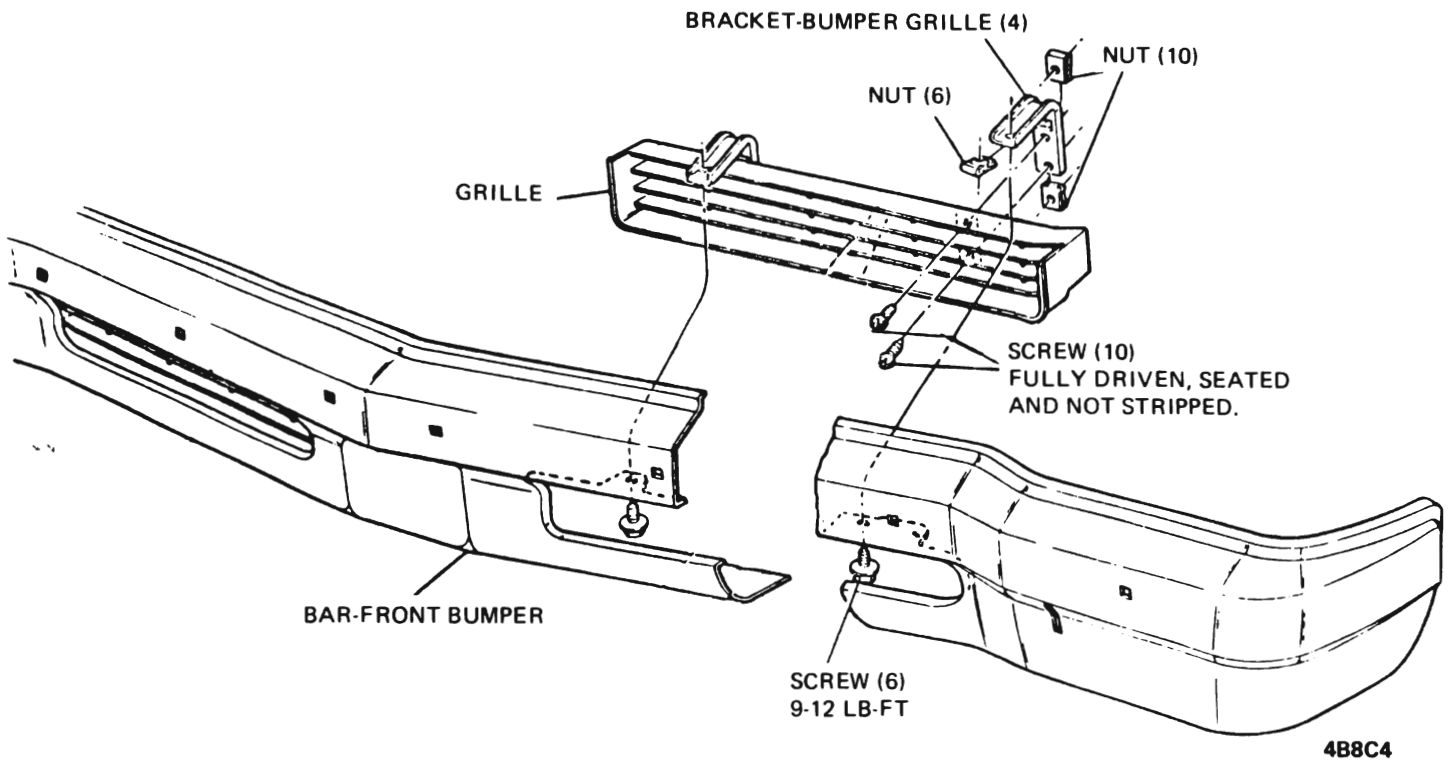


Figure 8C-4 X Series Bumper Grille Mounting

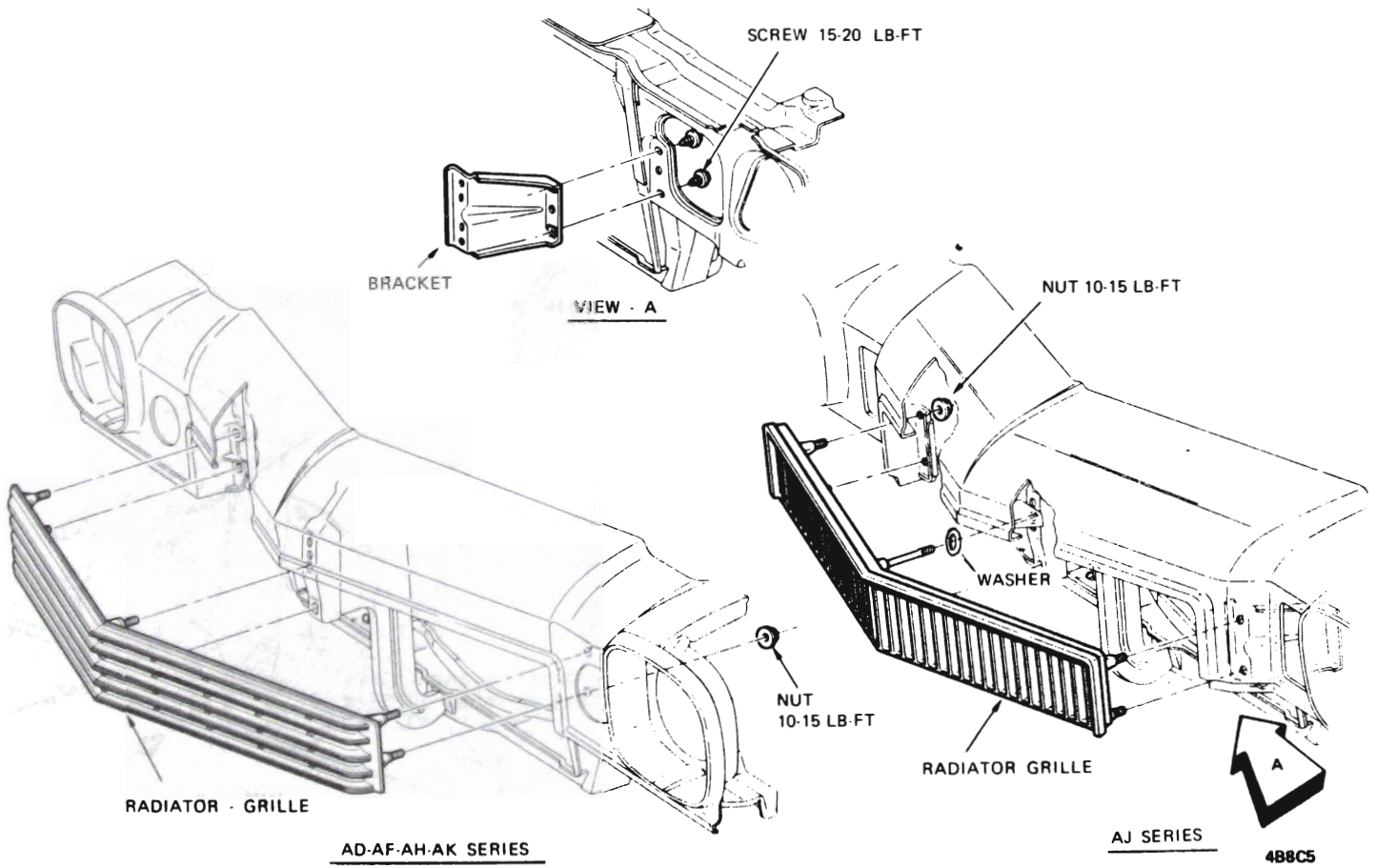
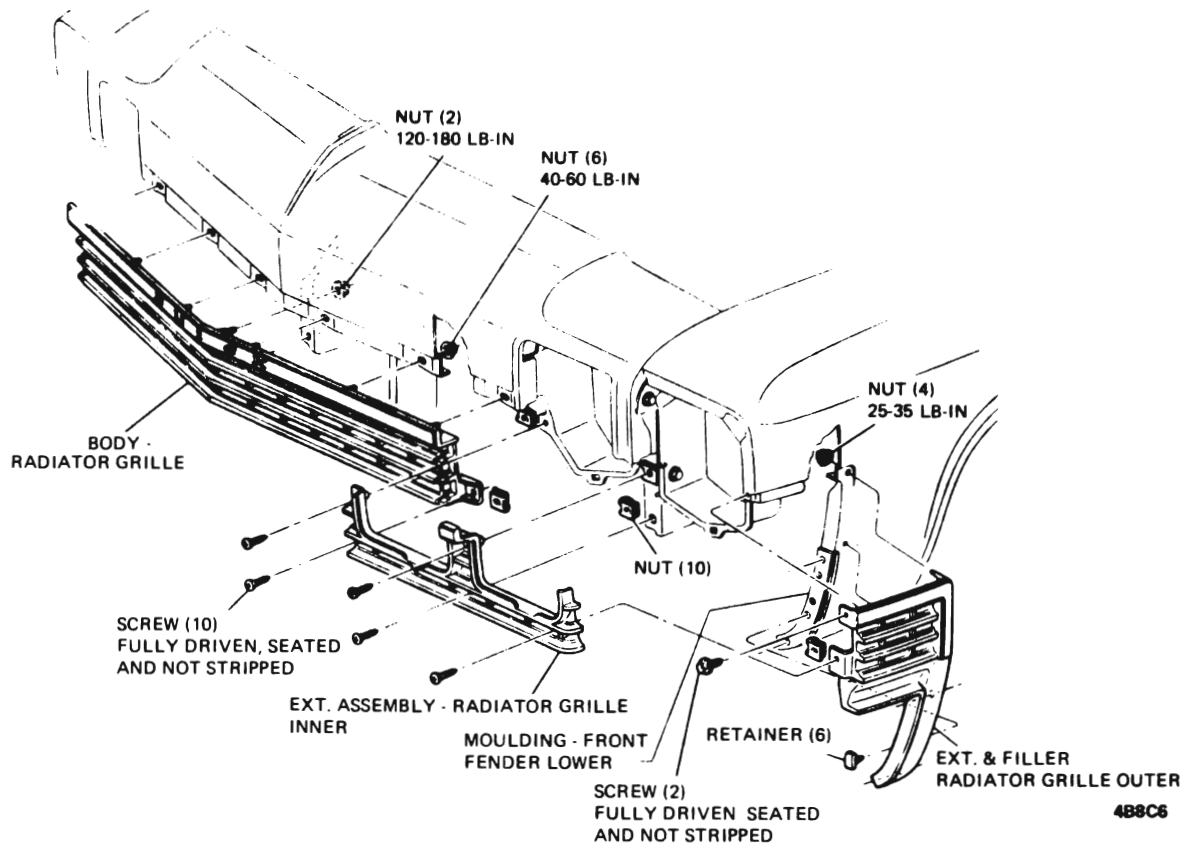


Figure 8C-5 A Series Radiator Grille Mounting



8C-6 B-C Series Radiator Grille

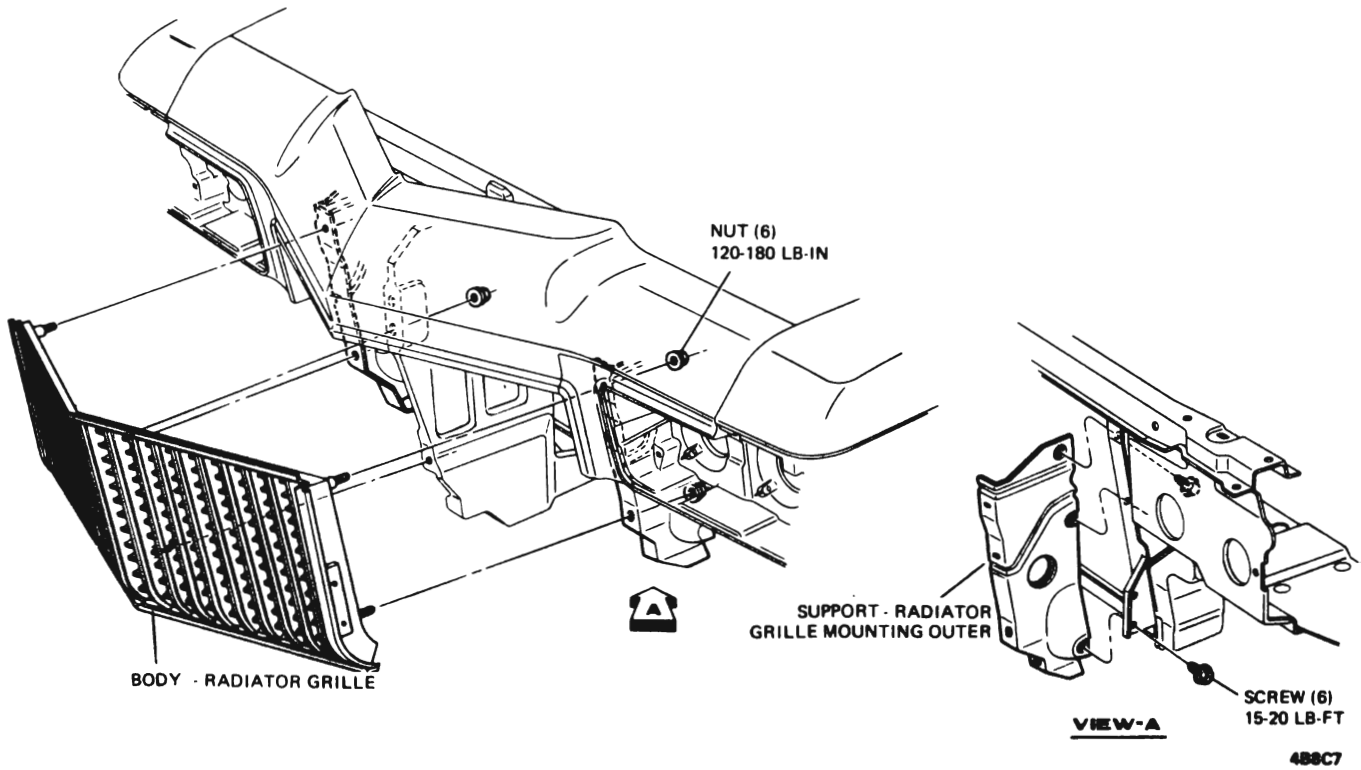


Figure 8C-7 E Series Radiator Grille

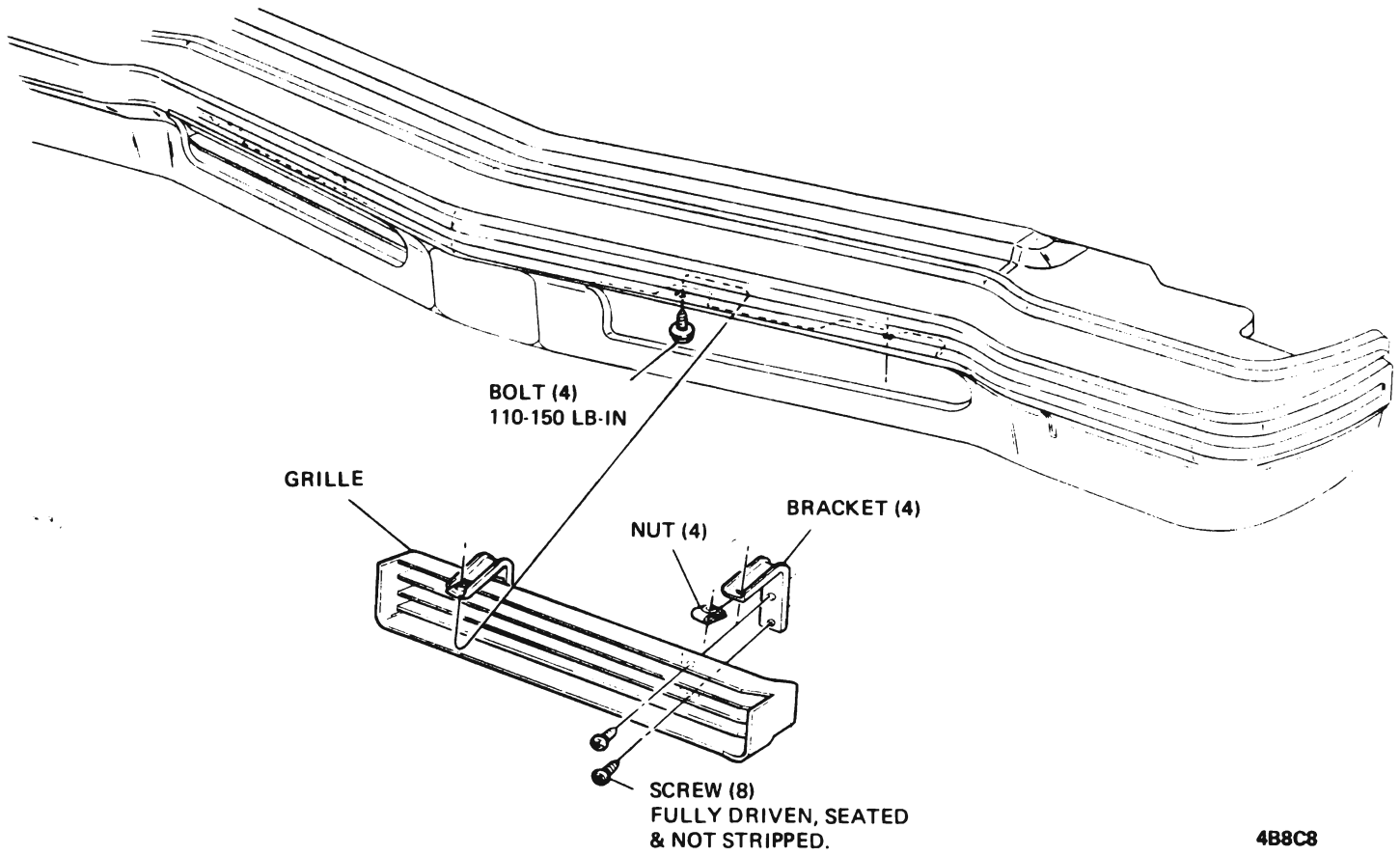


Figure 8C-8 A Series Bumper Grille Mounting

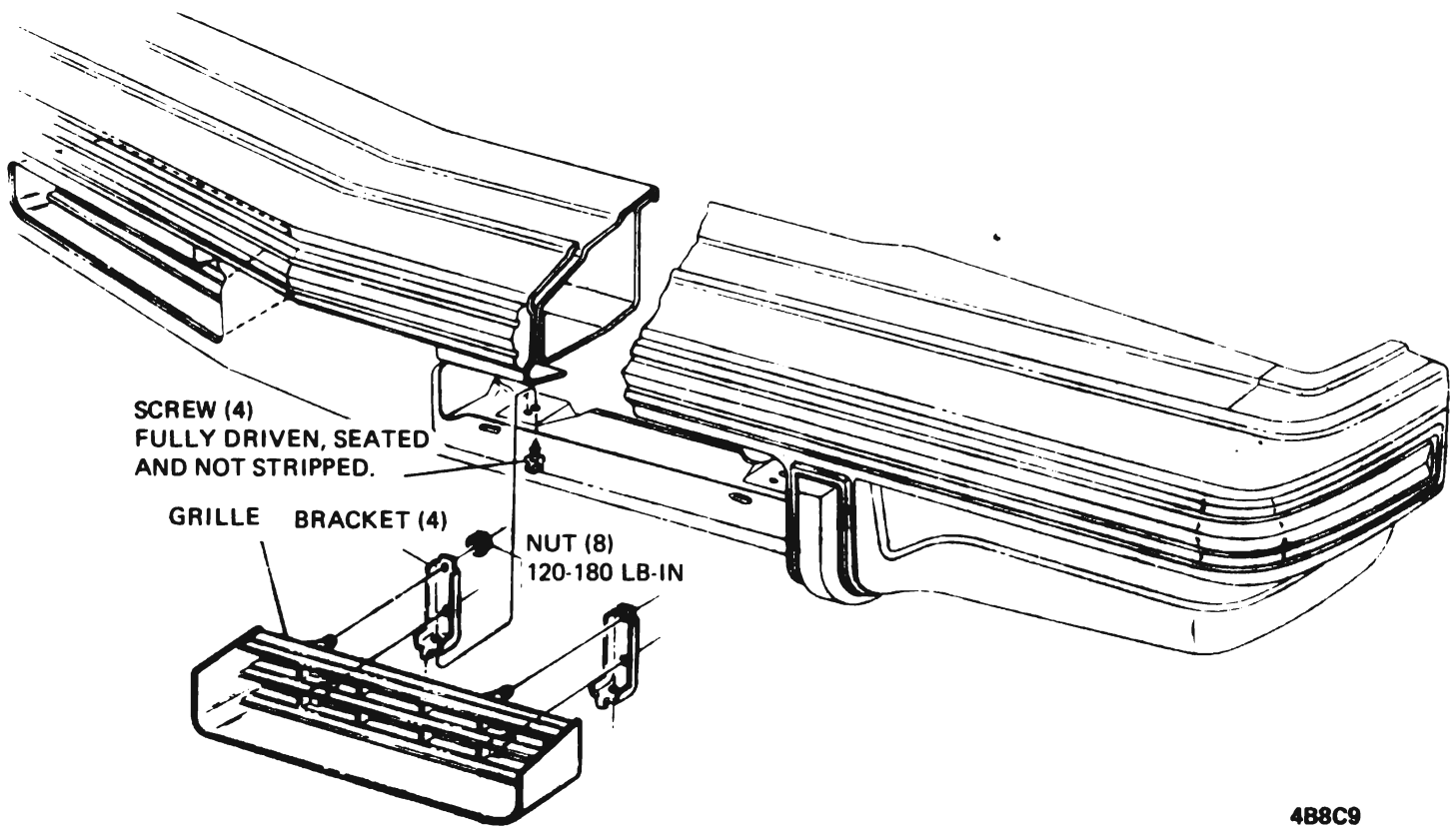


Figure 8C-9 B-C Series Bumper Grille